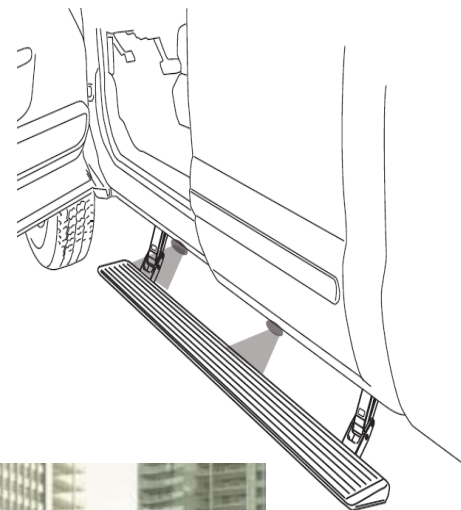
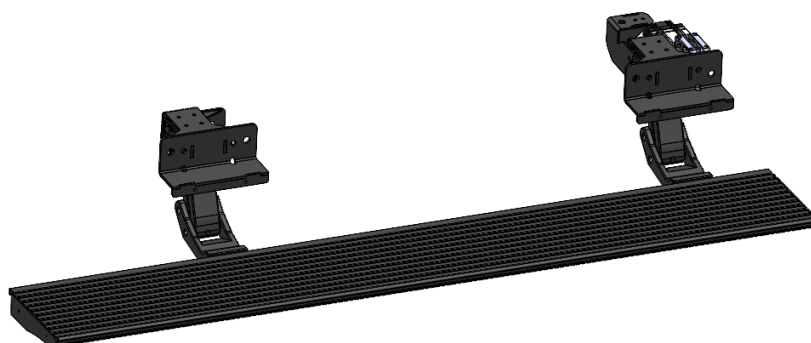
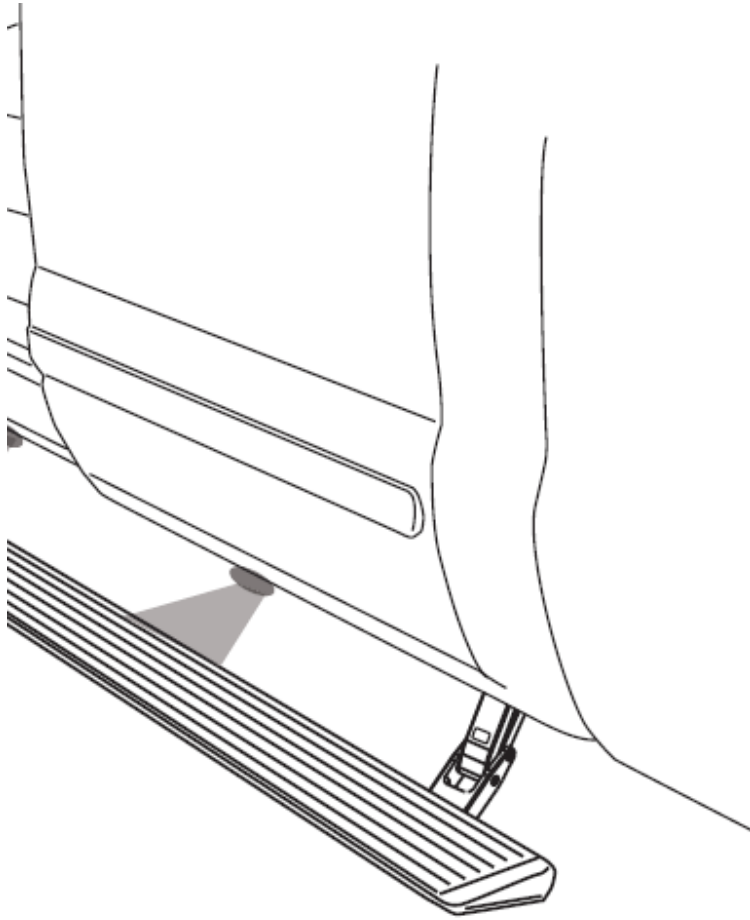


-board



FIAT DUCATO





INSTALLATION TIME
3 – 4 HOURS
Professional installation recommended

DIFFICULTY LEVEL

1 2 3 4

- EQUIPMENT LIST
- Protective Glasses
 - Ratchet wrench and arms
 - Cable Stripper
 - Allen wrench set
 - Electric insulating tape
 - Pliers
 - 8 mm spanner
 - 13 mm spanner
 - 10 mm spanner
 - Drill
 - Pneumatic Saw
 - Rivet Nut Machine
 - 5 mm drilling bit
 - 7 mm drilling bit
 - 10 mm drilling bit
 - 11 mm drilling bit

WARRANTY
2 YEARS



Allen wrench set



Cordless Drill Set



Ratchet Wrench Set



Air Socket Set



Air Drill



Pliers Set



Cable Stripper Plier



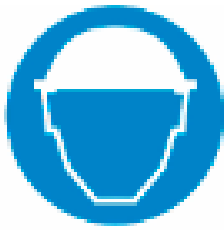
Punch Set



Rivet Nut Machine Set



Zinc Spray



Safety Hat



Safety



Warning



Safety Gloves



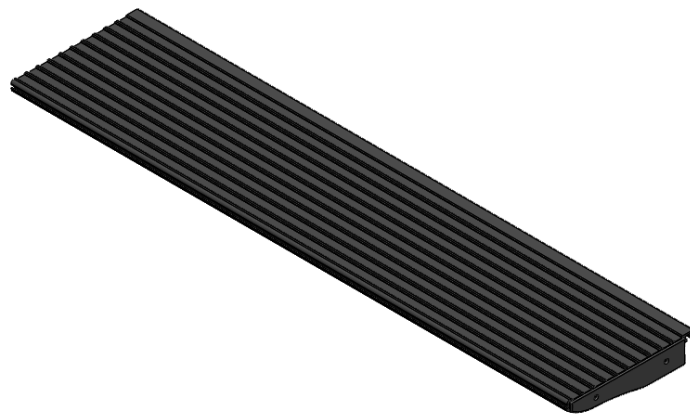
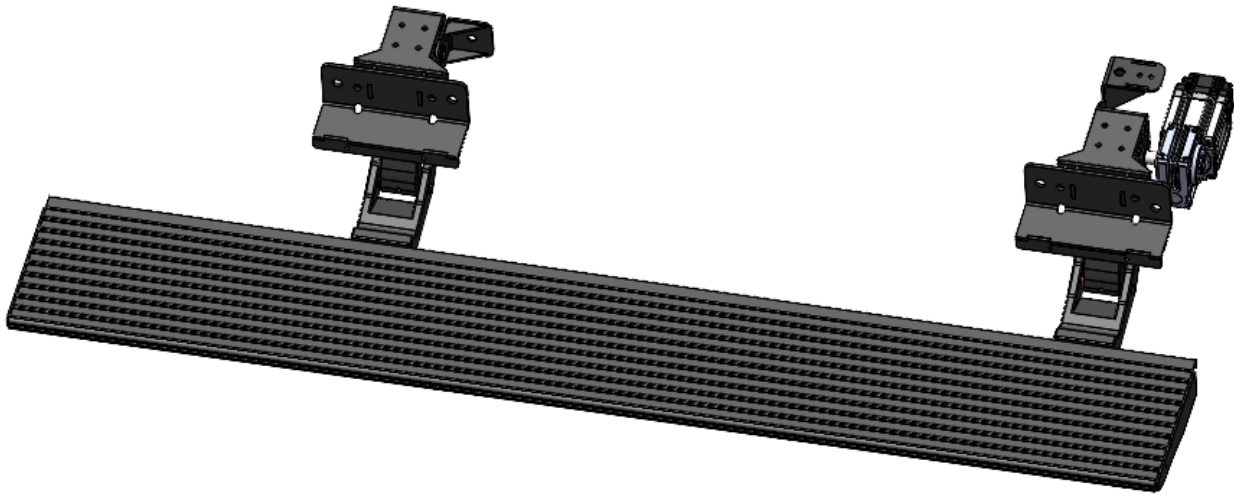
Protective Glasses



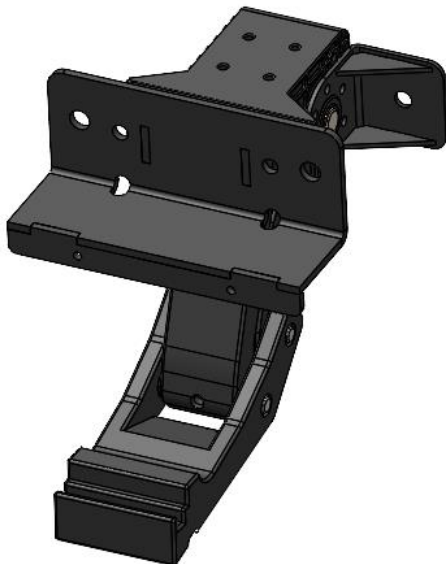
Mandatory



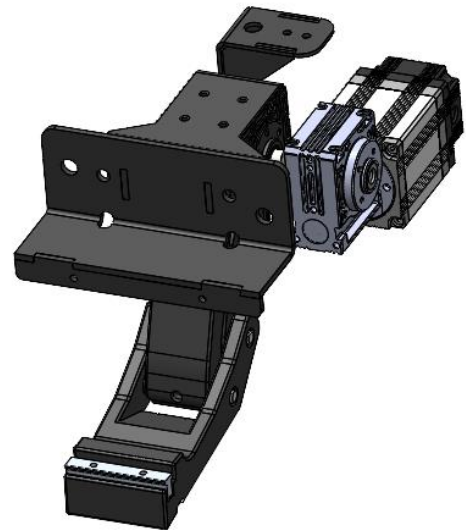
Mask



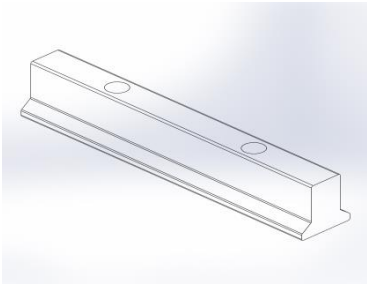
Board



Carrier Foot Front



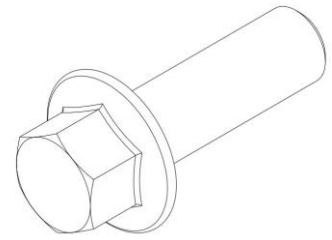
Motorised carrier
foot rear



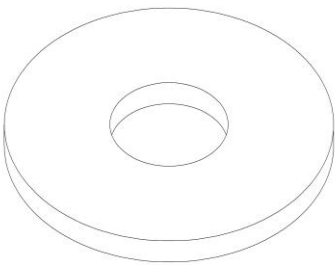
Board profile connector part



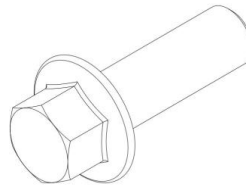
M6 x Hexagon



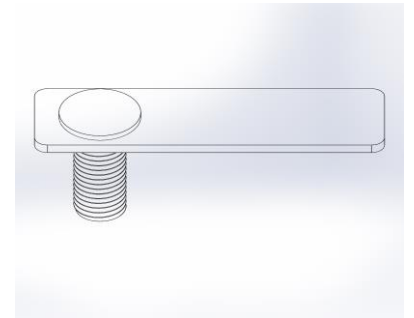
M8 x 20 AKB bolt



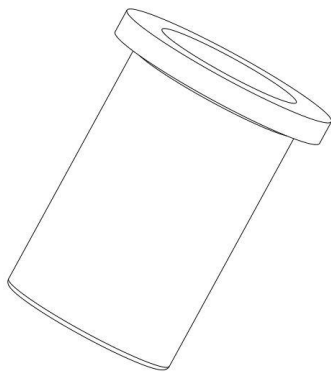
M8 stamp



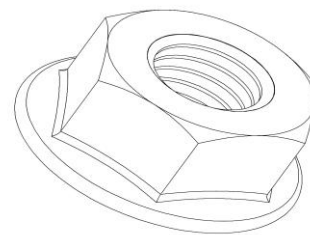
M6 x 20 AKB bolt



M8 x 30 connection bolt-3

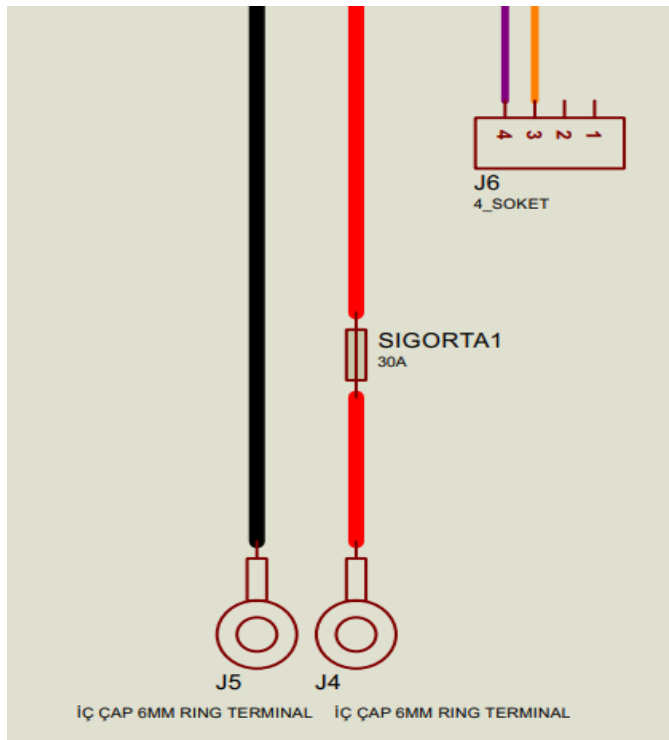
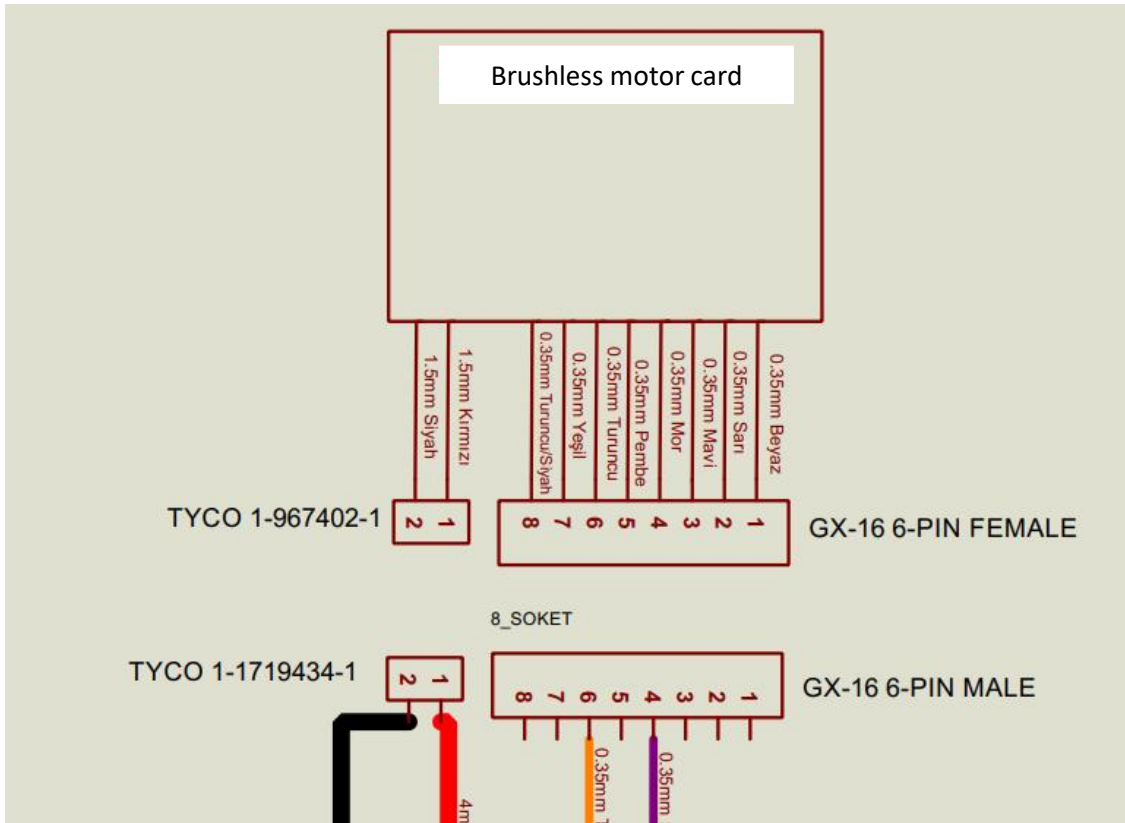


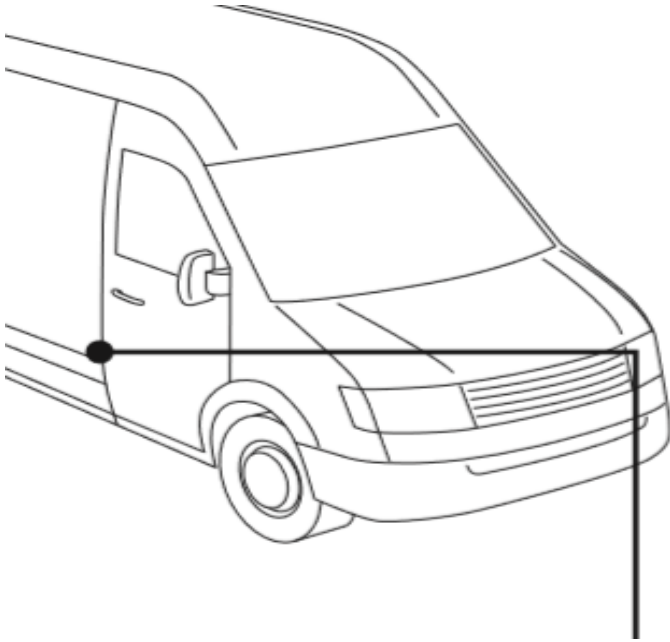
M8 Rivet Nut



M8 nut

SINGLE ENGINE v - board





Middle and Front door switch connections are made to the area shown in the Picture.

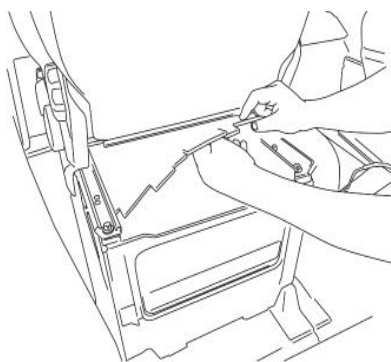


For switch mounting, \varnothing 11 mm hole is drilled



The assembly is done with the smart mounting screw





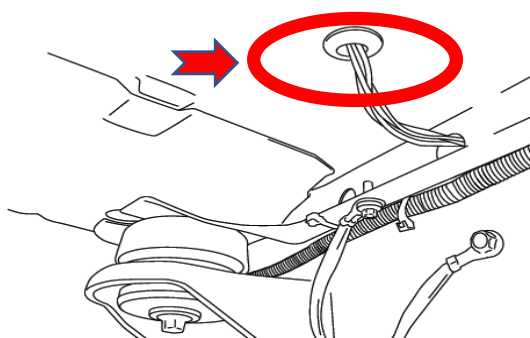
The installation and connection of the control unit is made in the area under the front passenger seat

1



Wiring is connected to the vehicle's battery

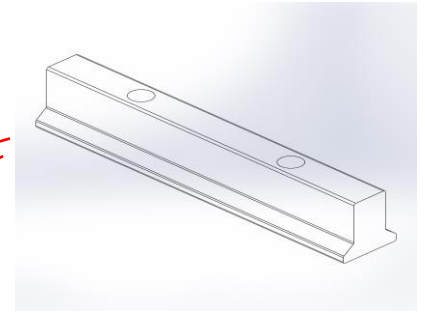
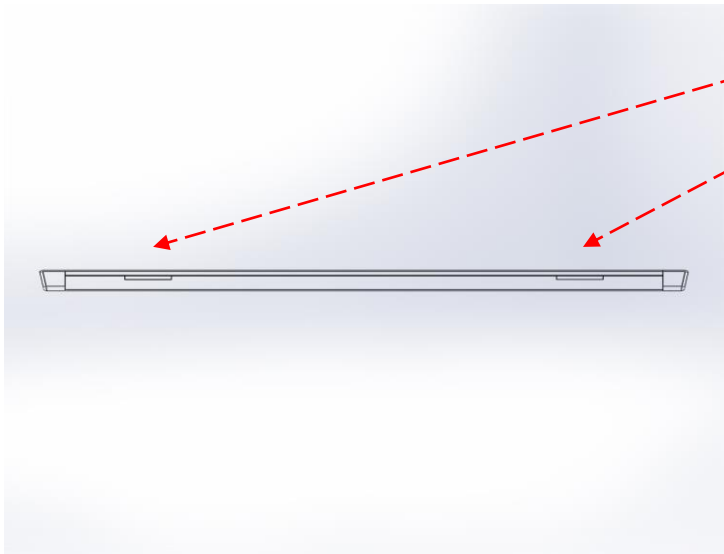
2



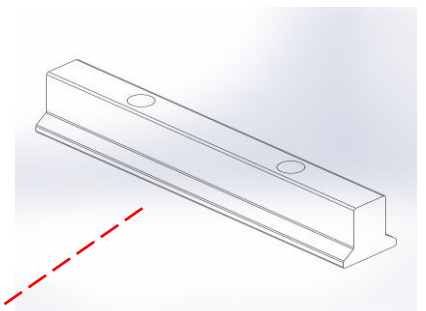
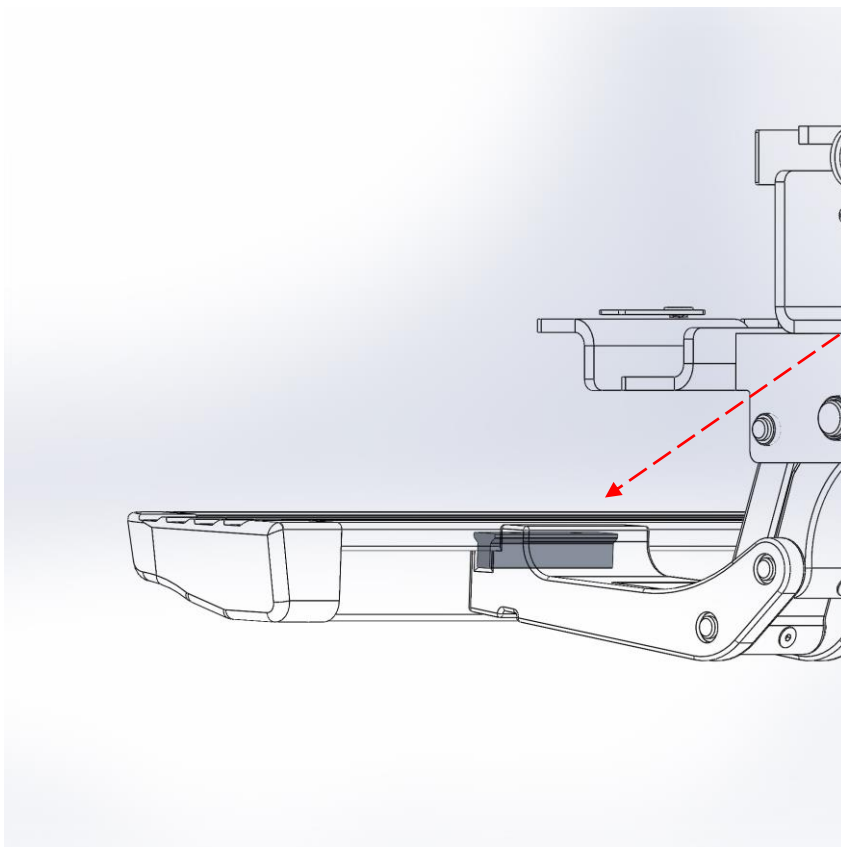
For the connections of the installation under the vehicle, the installation is taken from the hole under the front passenger seat to the underside of the vehicle

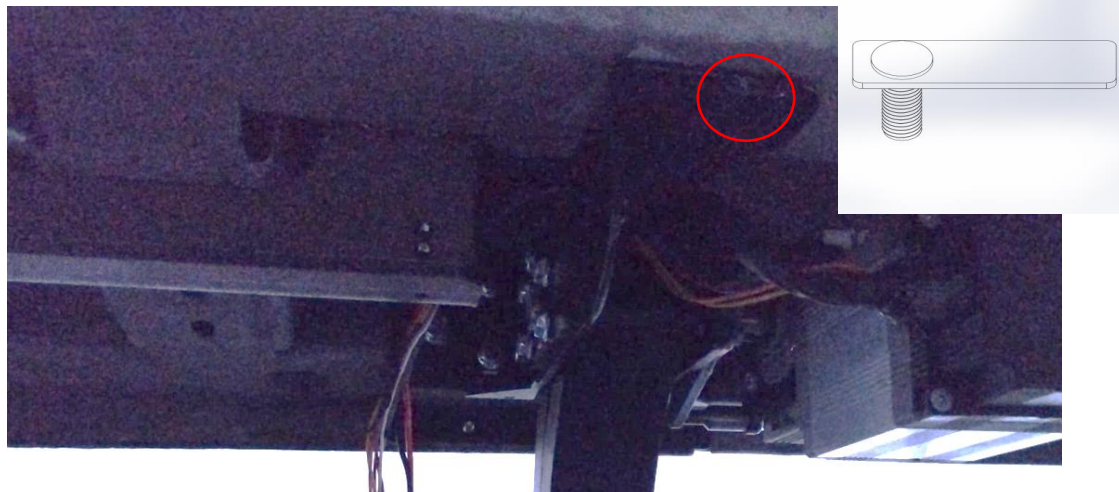
3



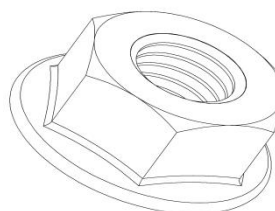


When assembling the carriers on the board, the board profile fittings are movable in the board channel. The board assembly is done with the carrier foot by sliding the carrier foot into the section where the assembly will be made



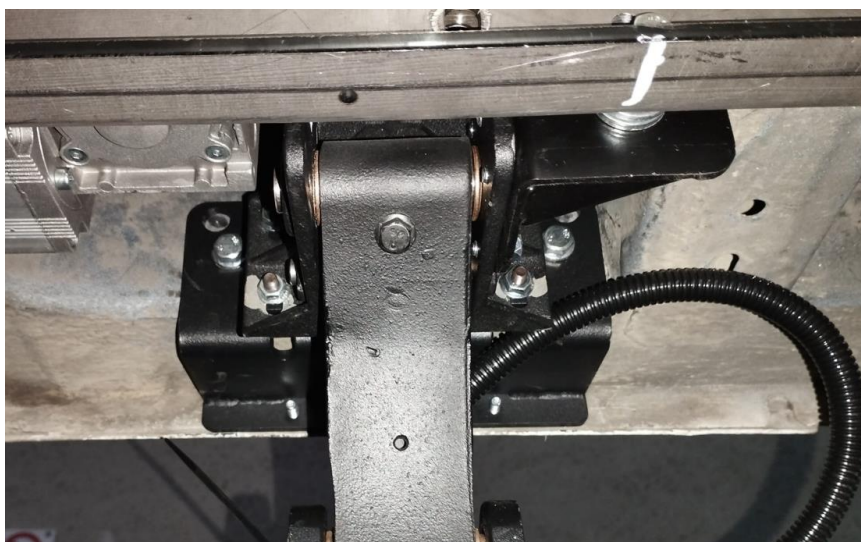


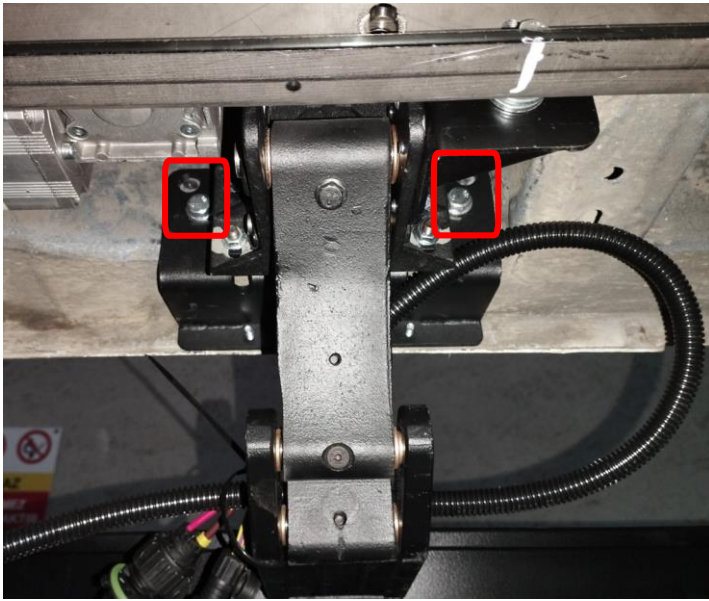
The original chassis hole of the vehicle is used for the carrier chassis connection. For the carrier chassis connection **M8 x 30 connection bolt-3** are placed in the vehicles' original chassis holes.



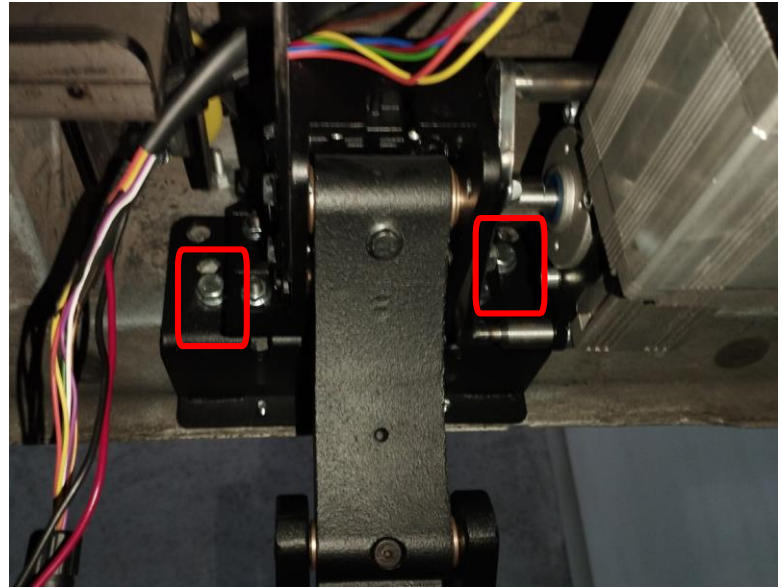
The rear carrier chassis support leg is placed in its original holes. The installation process is carried out with the help of **M8 x 30 Connection bolt-3** and **M8 Nut**.

2



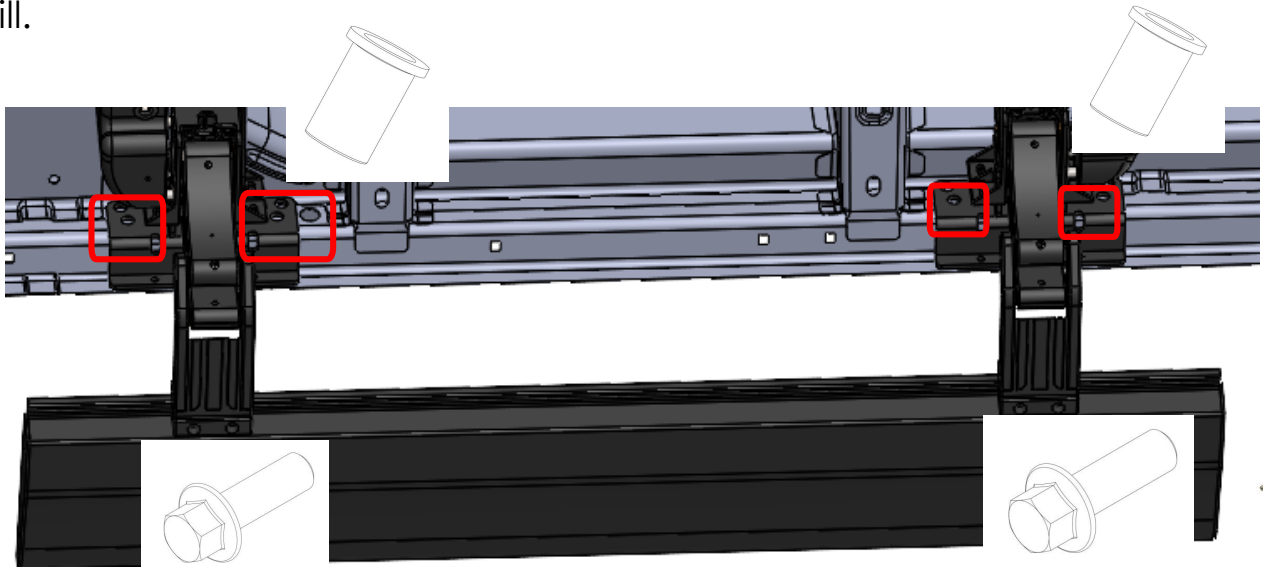


ÖN



ARKA

As shown in the figure, the 4 points determined are drilled with an **Ø 11 mm** ³ drill.



ÖN

ARKA



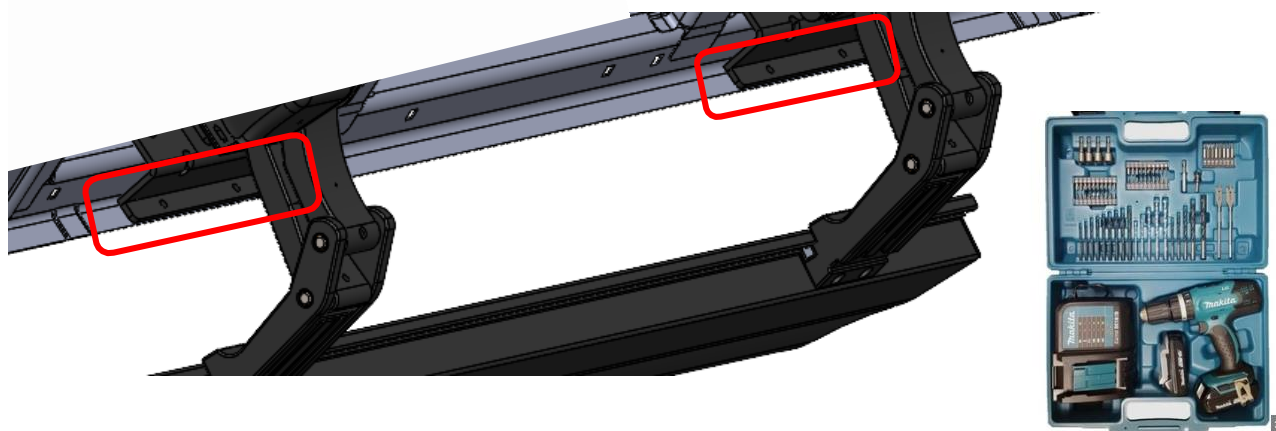
The **M8 Rivet nut** is attached to the drilled holes with the Rivet nut machine.

4

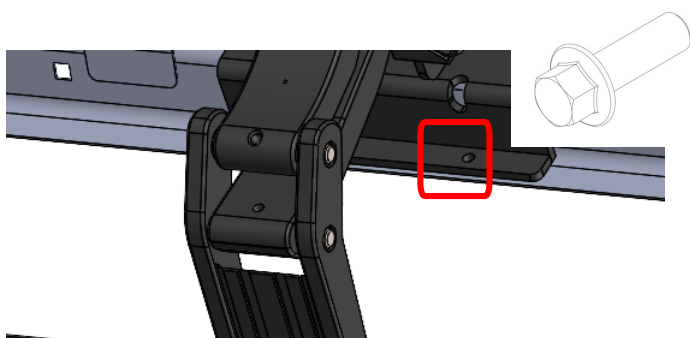
The assembly process of the carrier chassis is performed with the help of the **M8 x 20 AKB bolt**.

5



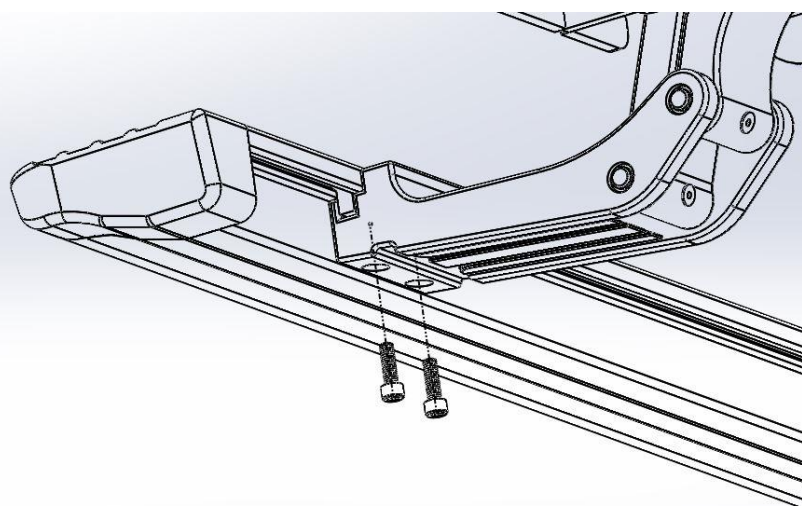


As shown in the figure, the 4 points determined are drilled with an **Ø 8 mm drill**. (6)



The installation process of the carrier chassis is performed with the help of the **M6 x 20 AKB bolt**.

(7)



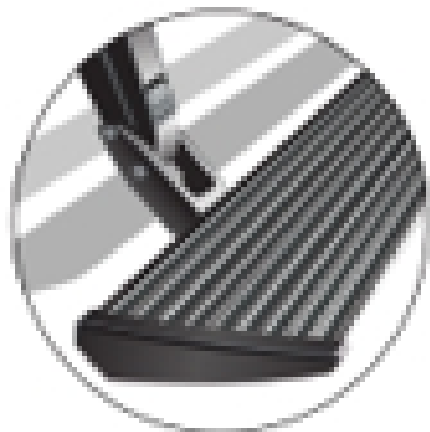
The board is placed on the carrier legs as shown in the figure and mounted with **M6 x 35 hexagon socket bolts** from the underside.

(8)



V- board Opening

When the doors are opened, the V - board will automatically open down and out.



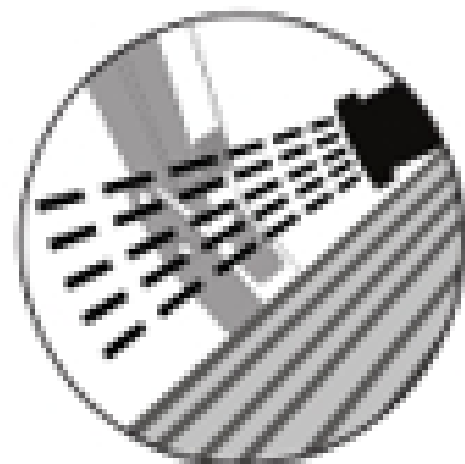
V- board Closing

When the doors are closed, the V-board will automatically return to the closed position.

V- board Automatic Stop

The V – Board will stop automatically when it encounters an object or obstruction during the opening. Open or close the door so that the V - board can continue normal operation.

Maintenance



In adverse conditions, noise may occur due to the compression of parts such as chips, mud, dirt and dust into the V-board. In this case, direct spraying should not be applied to the engines. Set the V - boards manually. After washing, apply silicone spray lubricant to hinges and pins. Do not apply silicone or preservatives to the working V-Board surface.

Attention! Keep your hands and feet away while the V - board is moving.



WARRANTY

The warranty written on the v-Board “Veldo Warranty Certificate” is valid for 2 years from the start date. Veldo Warranty Certificate is given to the customer , during product delivery . Our customers are required to present this document in order to make use of the warranty process. To make free use of warranty transactions; the customer shall notify the customer of the failure in writing to Veldo Teknoloji Makine Üretim Sanayi Ticaret A.Ş authorized dealer or service or Veldo Teknoloji Makine Üretim Sanayi Ticaret A.Ş. Veldo Teknoloji Makine Üretim Sanayi Ticaret A.Ş cannot be held responsible for any failures that are not notified in writing. The customer accepts the damage caused by the failure. The warranty period for the product that was changed during the warranty period is limited to the remaining warranty period for the product that was purchased. Veldo Teknoloji Makine Üretim Sanayi Ticaret A.Ş authorized dealer / service or Veldo Teknoloji Makine Üretim Sanayi Ticaret A.Ş report will be able to repair the failure if it is determined that it is not possible, a free replacement will be made. After delivery of the product to customer, incorrect handling (impact, drop, impact), improper and inadequate care misuse use, use of the product in extremely humid, dusty or hot environments or use of the product in corrosive, corrosive environments, accident, shock, electricity (voltage changes), failures caused by natural disasters, as a result of (wearing) normal use and the nature of the material, malfunctions caused by insects or animals causing damage to the product or the cables of the product are not considered under warranty. .

WARNING

Ensure that the product is installed by following the instructions given when installing it. Failure to do so could potentially endanger the occupants of the vehicle. After installing or re-installing, check again to make sure the product is working properly