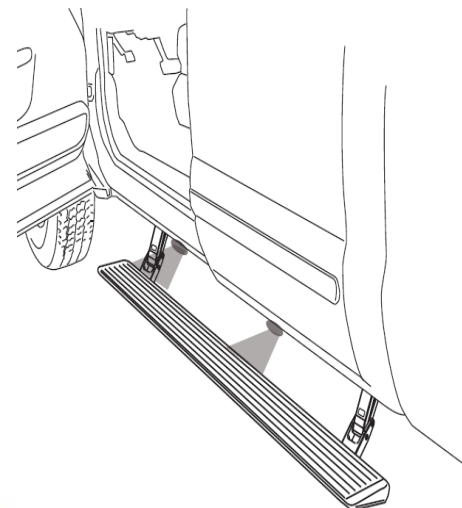
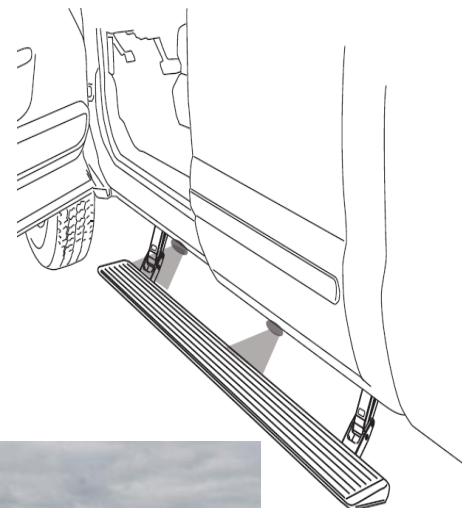


-board

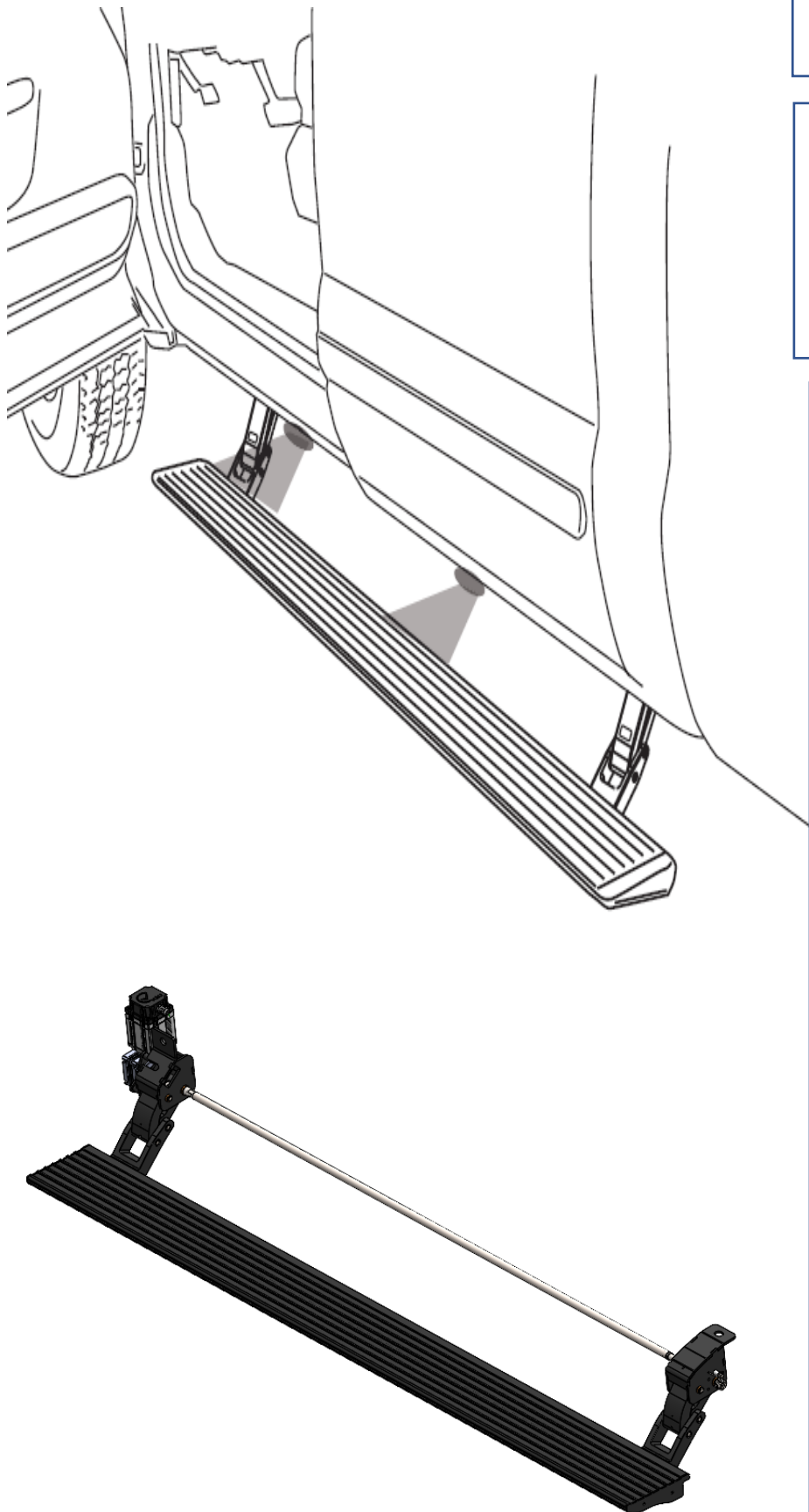


RANGER

-board



AMAROK



INSTALLATION TIME

3 – 4 HOURS

Professional installation recommended

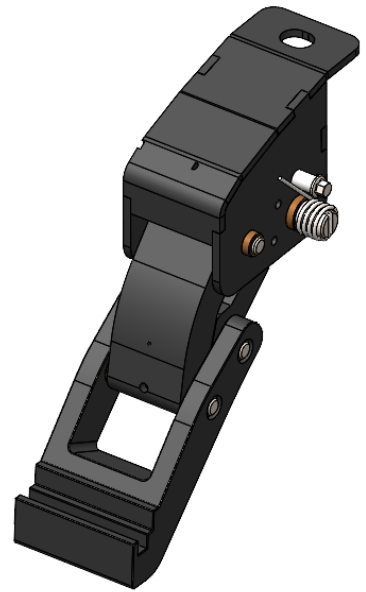
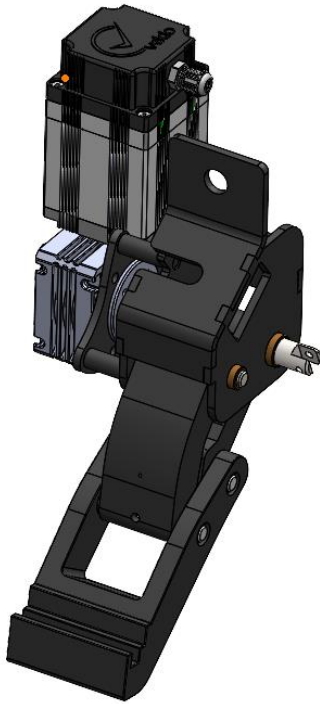
DIFFICULTY LEVEL



EQUIPMENT LIST

- Protective Glasses
- Ratchet wrench and arms
- Cable Stripper
- Allen wrench set
- Electric insulating tape
- Pliers
- 8 mm spanner
- 13 mm spanner
- 10 mm spanner
- Drill

WARRANTY
2 YEARS



Motorised carrier foot

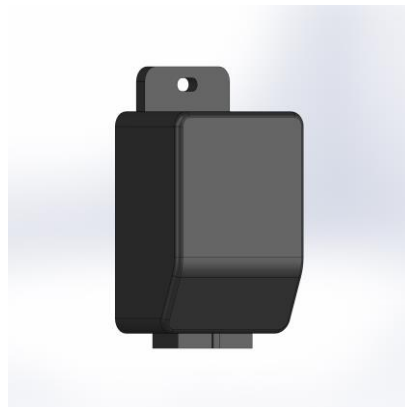
Carrier foot



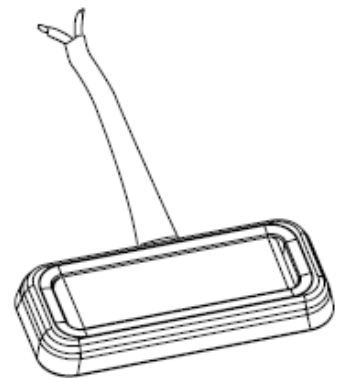
Step Shaft



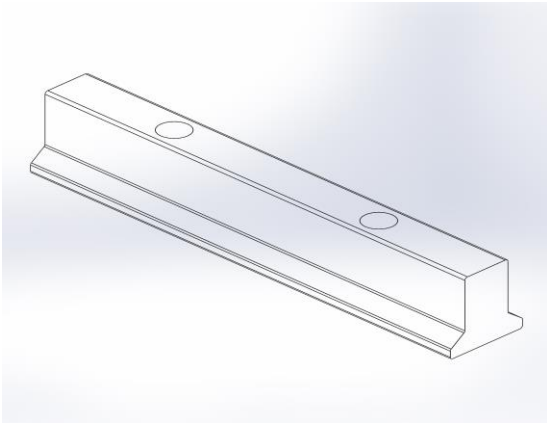
Board



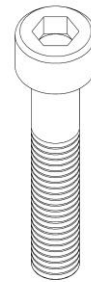
Control unit



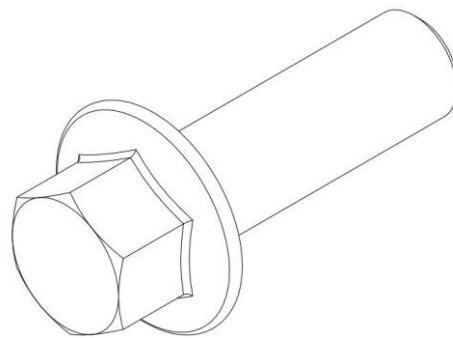
LED



Board profile connector part x 2



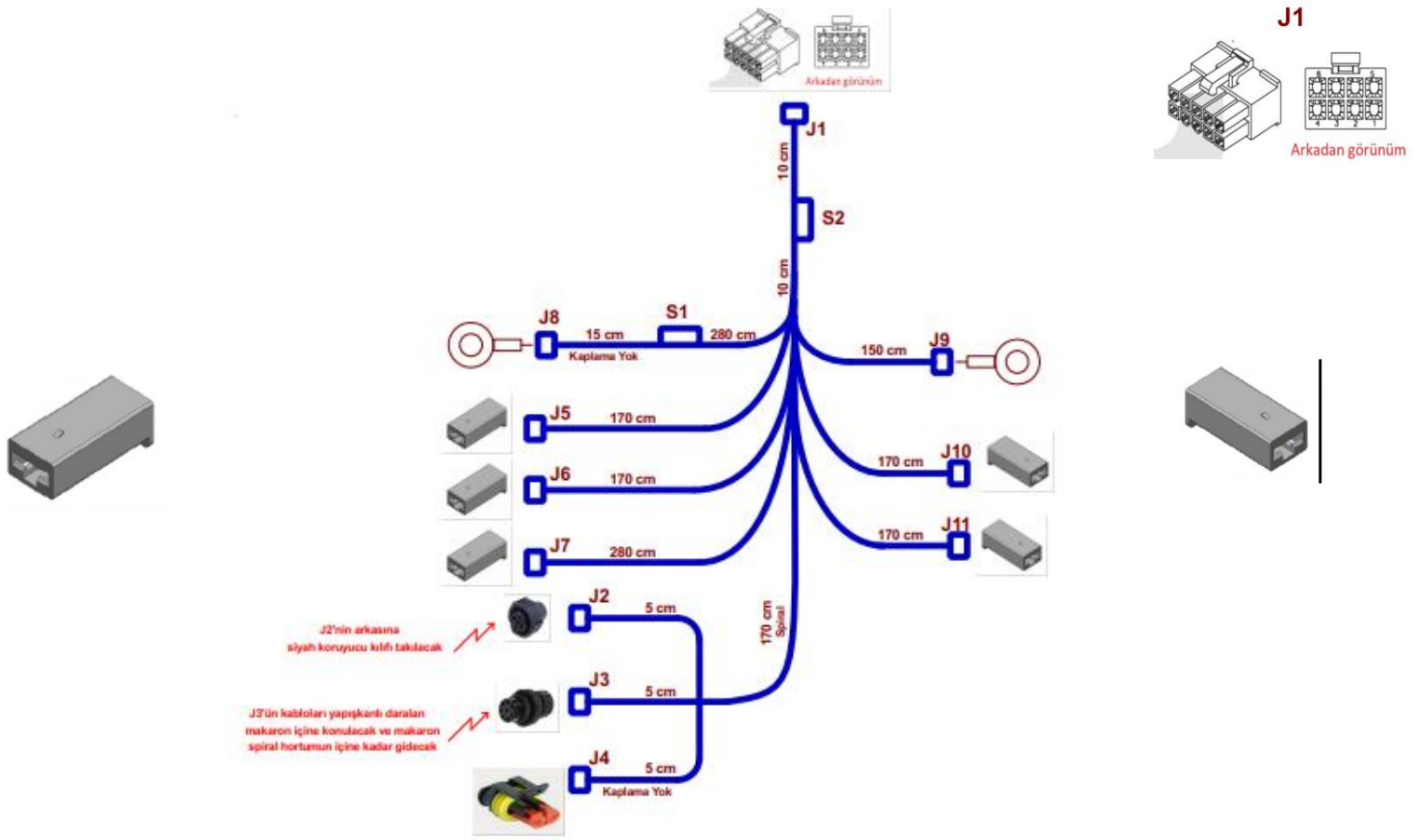
M6 x 20 Hexagon x 4



M10 x 25 Flange (wrench flat 13mm) Bolt x 4 Pieces

Not: If there is a fixed board on the vehicle, its original connection bolt is used.

SINGLE ENGINE V-BOARD



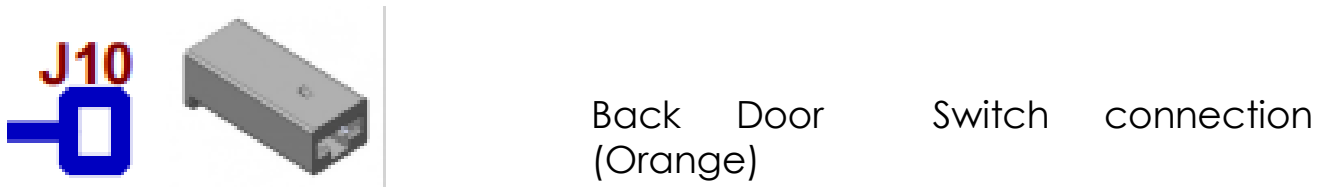
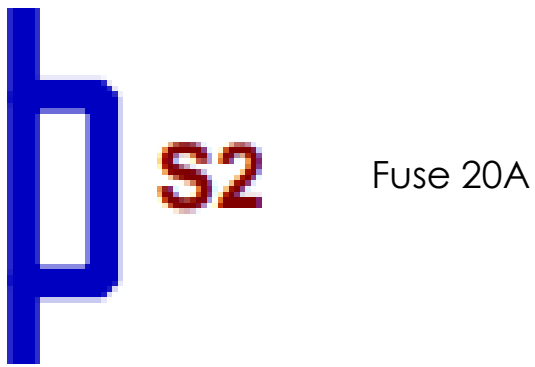
Motor Connection Soketi

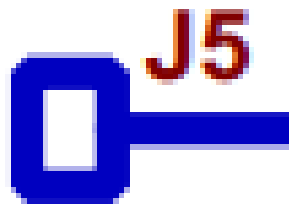
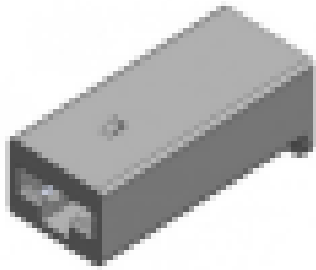


Motor Supply Socket

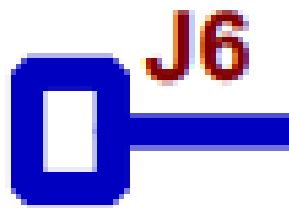
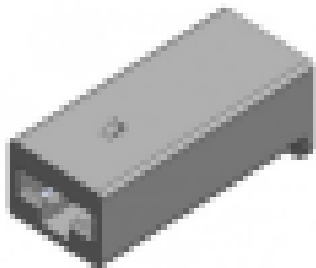


Led Socket

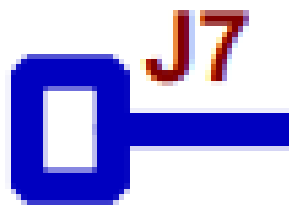




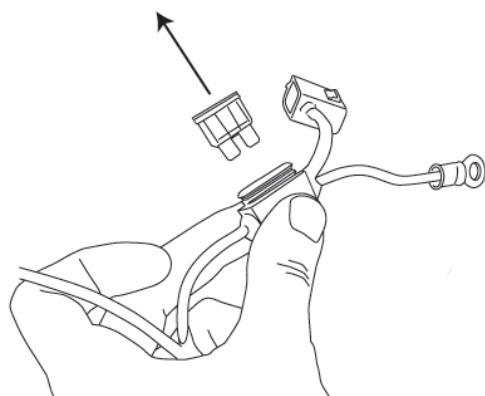
Unlock Central Lock (Blue-Black)



Close Central Lock(Red -Blue)



Ignition (Red - Black)

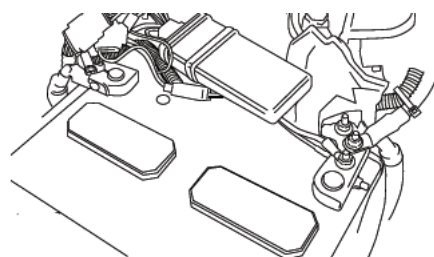


Before starting the installation, the fuse on the installation is removed. **!!!!**

①



****** !!!**. Fuse no. S1 on the installation



Wiring plus (+) point connect to battery plus (+) point. ②

Wiring minus (-) point connect to vehicle chassis.

The left side V-board mounting, wiring and connection of the control unit are made in the compartment shown in the picture on the driver's side.



Note: The section where the original sockets are located on the left side of the pedals. ③



****** !!!** Before connecting the control unit, remove fuse no. S2 on the installation.



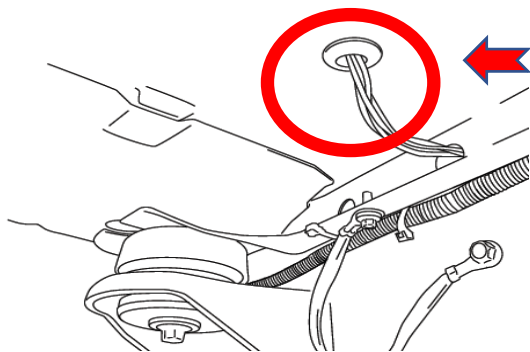
The (+) end of the installation is pulled from the part shown in the picture (under the steering wheel of the vehicle) towards the battery section at the front of the vehicle (must be passed through the rubber stopper). ④



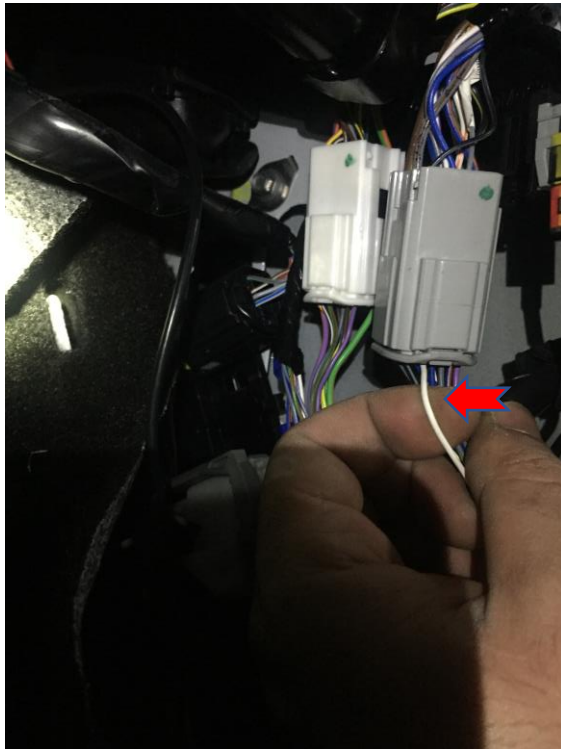
. The battery connection of the point of the installation is made as shown in the picture. 5



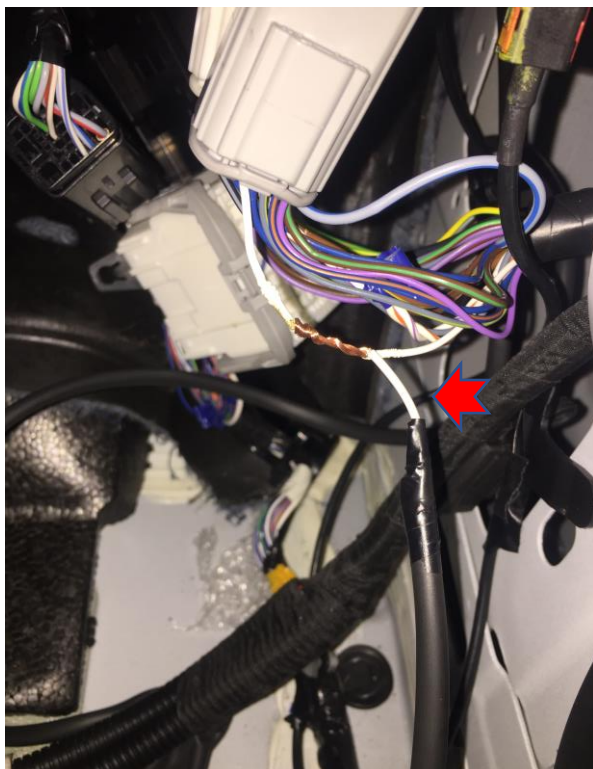
From the vehicle's original hole under the driver's floor mat, the motor and LED pins of the Left V-board installation are extended under the vehicle as shown in the picture. 6



Electrical connections for Open & Close position information of the right front door.

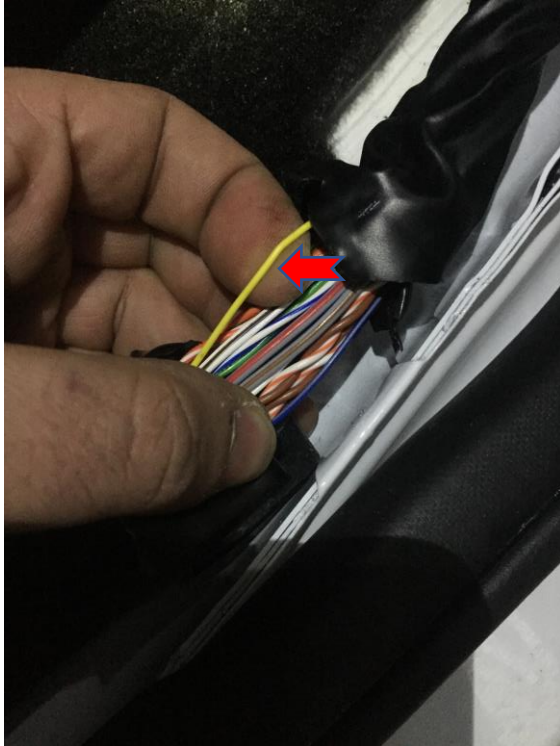


The plastic cover under the right front dashboard, where the vehicle's original signal sockets are located, is removed.



The white cable in the v-board installation is connected to the white cable in the vehicle's original installation as shown in the picture.

Electrical connections for Open & Close position information of the right rear door.

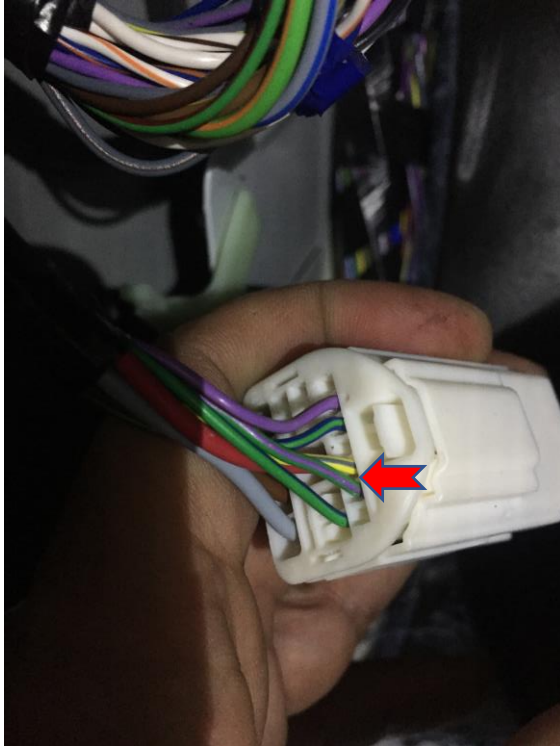


The plastic cover on the right side center pillar, where the vehicle's original signal sockets are located, is removed.

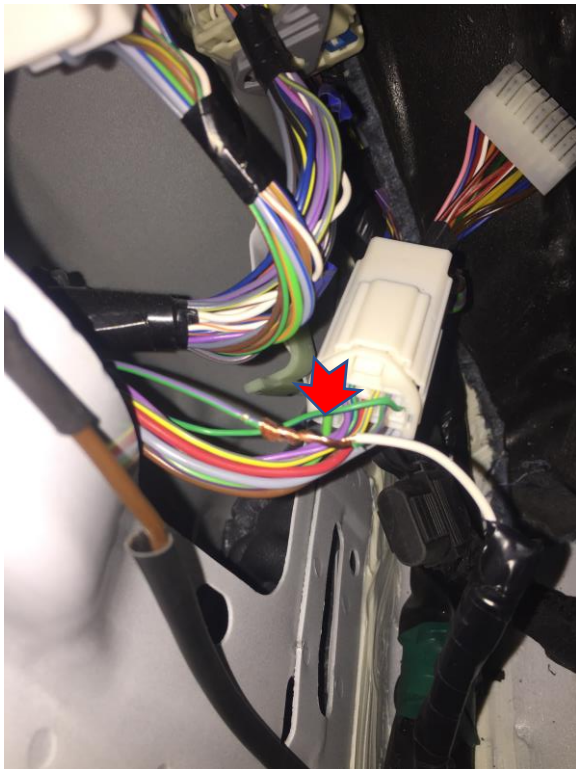


The orange cable in the v_board installation is connected to the yellow cable in the vehicle's original installation as shown in the picture.

Electrical connections for Open & Close position information of the left front door.



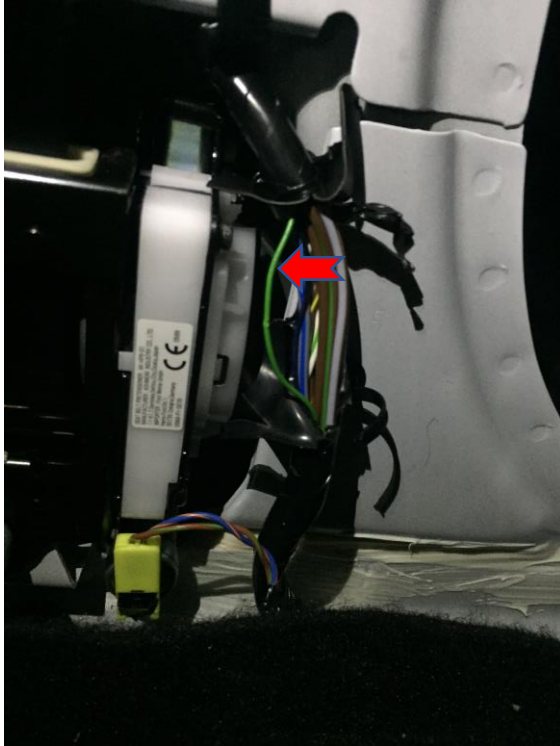
The plastic cover on the left side of the pedals on the front left driver's side, where the vehicle's original signal sockets are located, is removed.



The white cable in the v- board installation is connected to the purple-green cable in the vehicle's original installation as shown in the picture.

Wiring Assembly additional

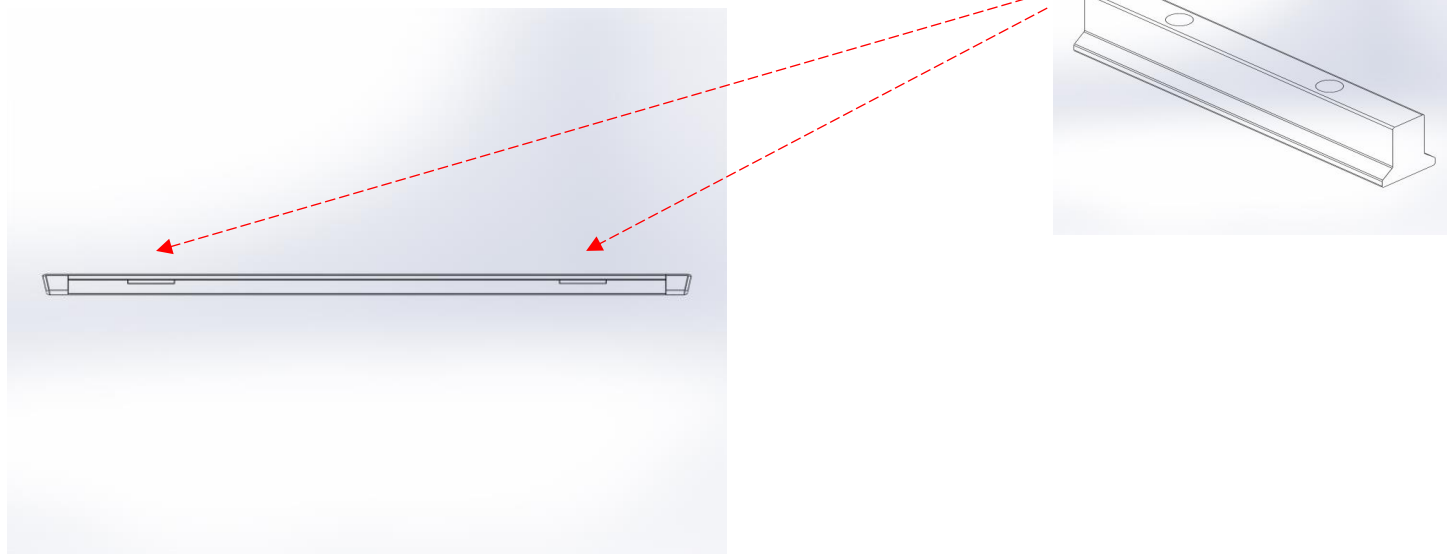
Electrical connections for Open & Close position information of the left rear door.



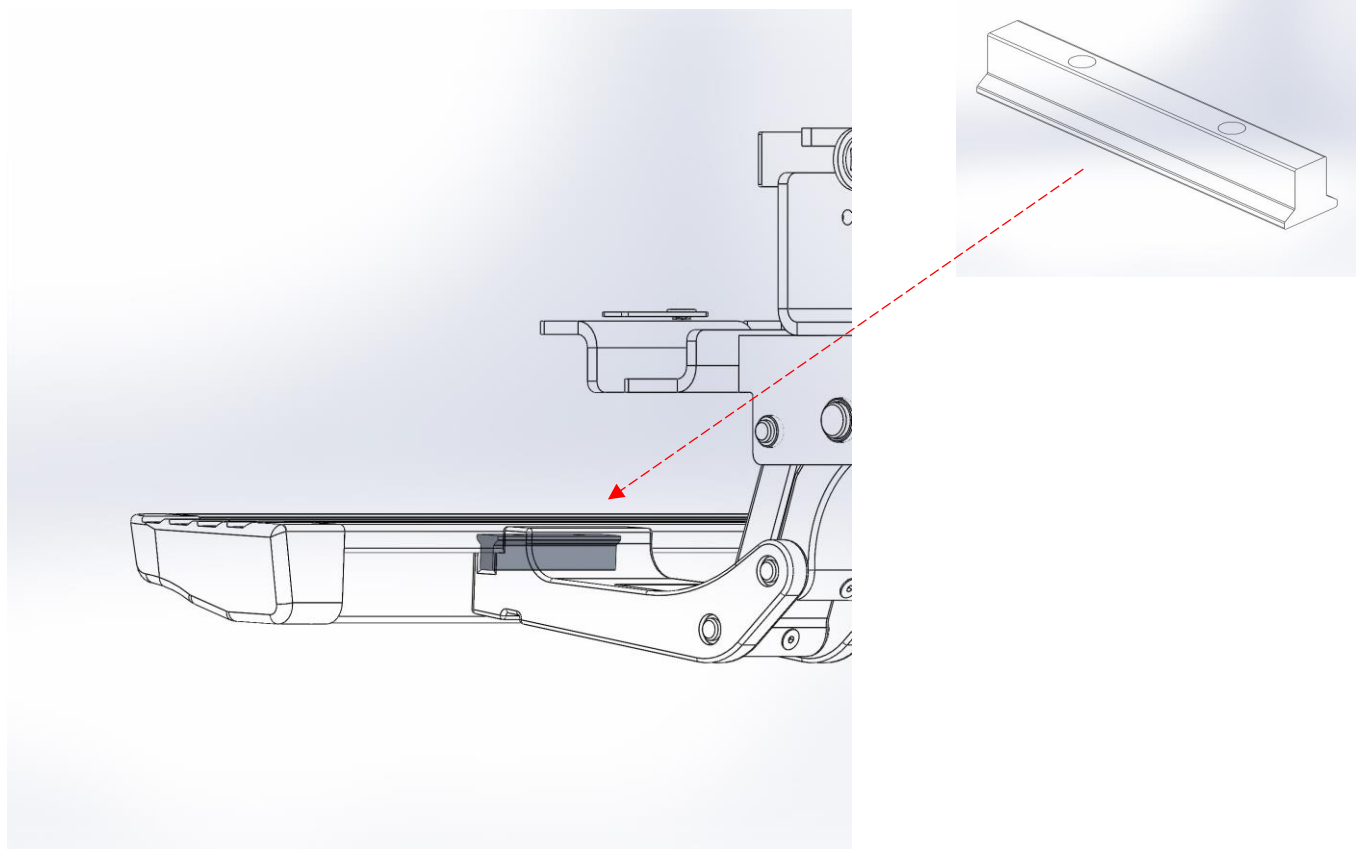
The plastic cover on the left side center pillar, where the vehicle's original signal sockets are located, is removed.



The orange cable in the V-board installation is connected to the green cable in the vehicle's original installation as shown in the picture.



When mounting the carriers on the board, the board profile connection parts are movable in the board channel. The board is mounted together with the carrier leg by sliding it to the section where the carrier leg will be mounted.





The vehicle's original chassis hole is used for the landing gear

①

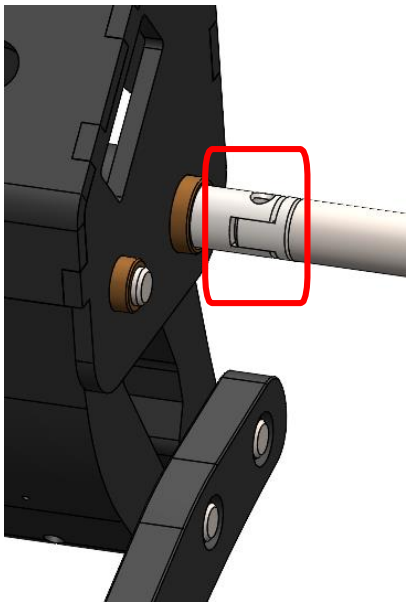
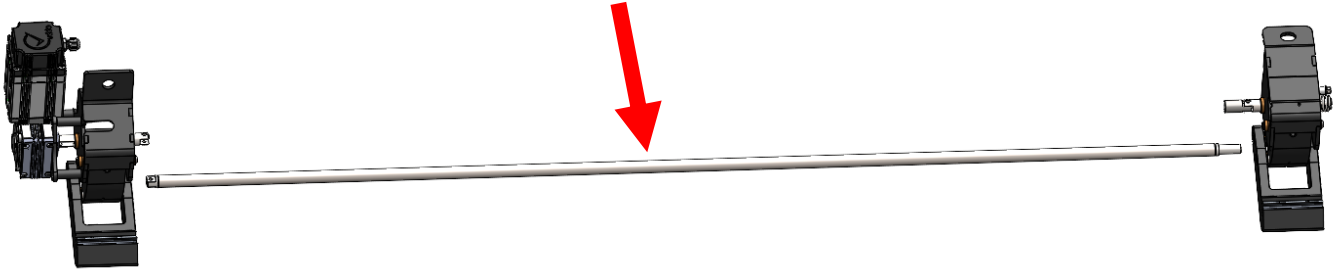
Note: M10 AA=13mm bolts are used on the vehicle during assembly operations.



The vehicle's original chassis hole is used for the Motor Carrier leg connection. 2

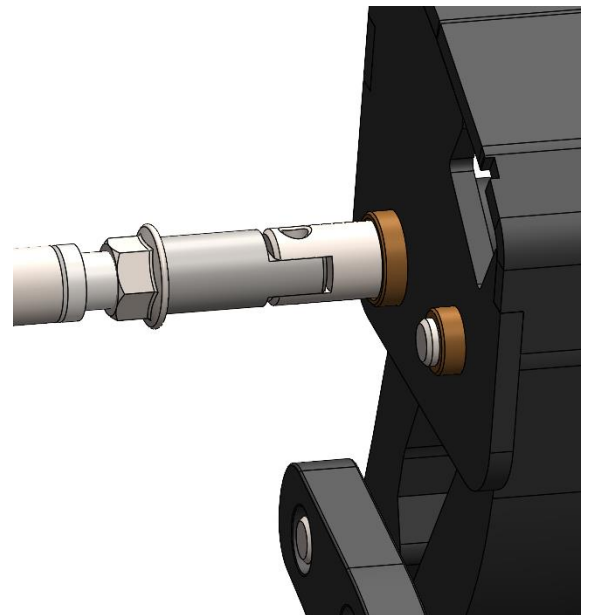
Note: M10 AA=13mm bolts are used on the vehicle during assembly operations.

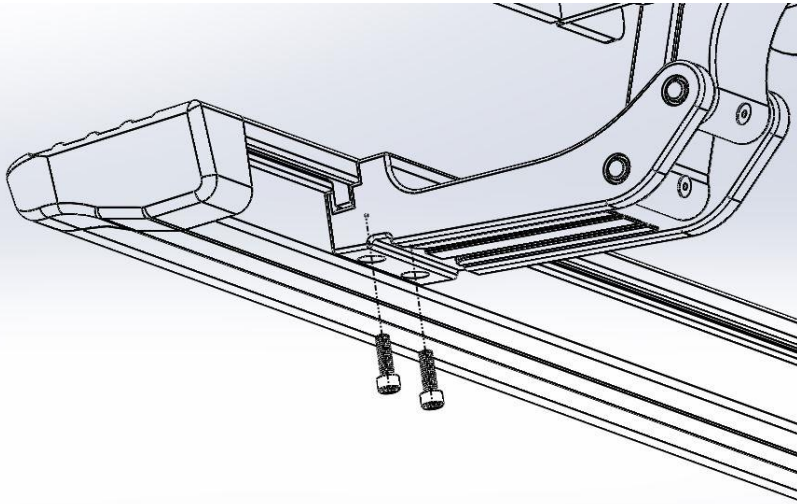
After the Carrier Feet are assembled;
Step Shaft is assembled.



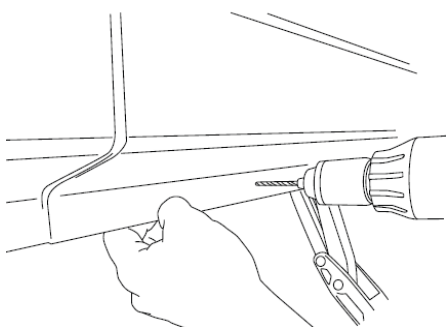
First, the fixed end of the shaft is mounted to the side of the Motorized Carrier Leg with M5x20 HB Imbus Bolt. ①

Then, the moving end of the shaft is centered on the Front Carrier Leg side and mounted with M5x20 HB Imbus Bolt. It is counterattached with M10 Flange bolt. ②

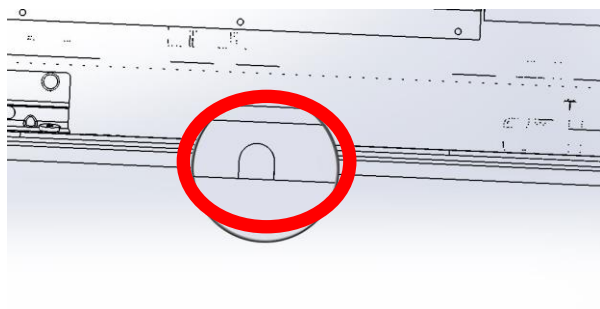




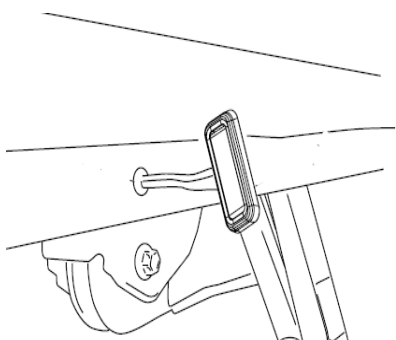
The board is placed on the carrier legs as shown in the figure and mounted from the bottom with M6 x 20 imbus bolts. (3)



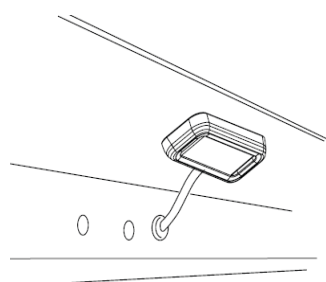
One close to the port of the carrier for LED mounting. A $\varnothing 10$ mm hole is drilled with a drill. ①



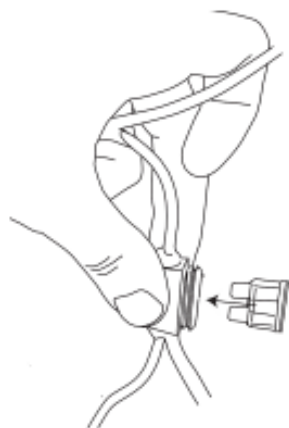
For the LED cable to pass through, the hole drilled with a $\varnothing 10$ mm drill is cut with the help of an air-powered saw, as shown in the figure.. ②



LED cables are passed through the drilled hole ③



LED cable connections are made. LED installation is completed. ④

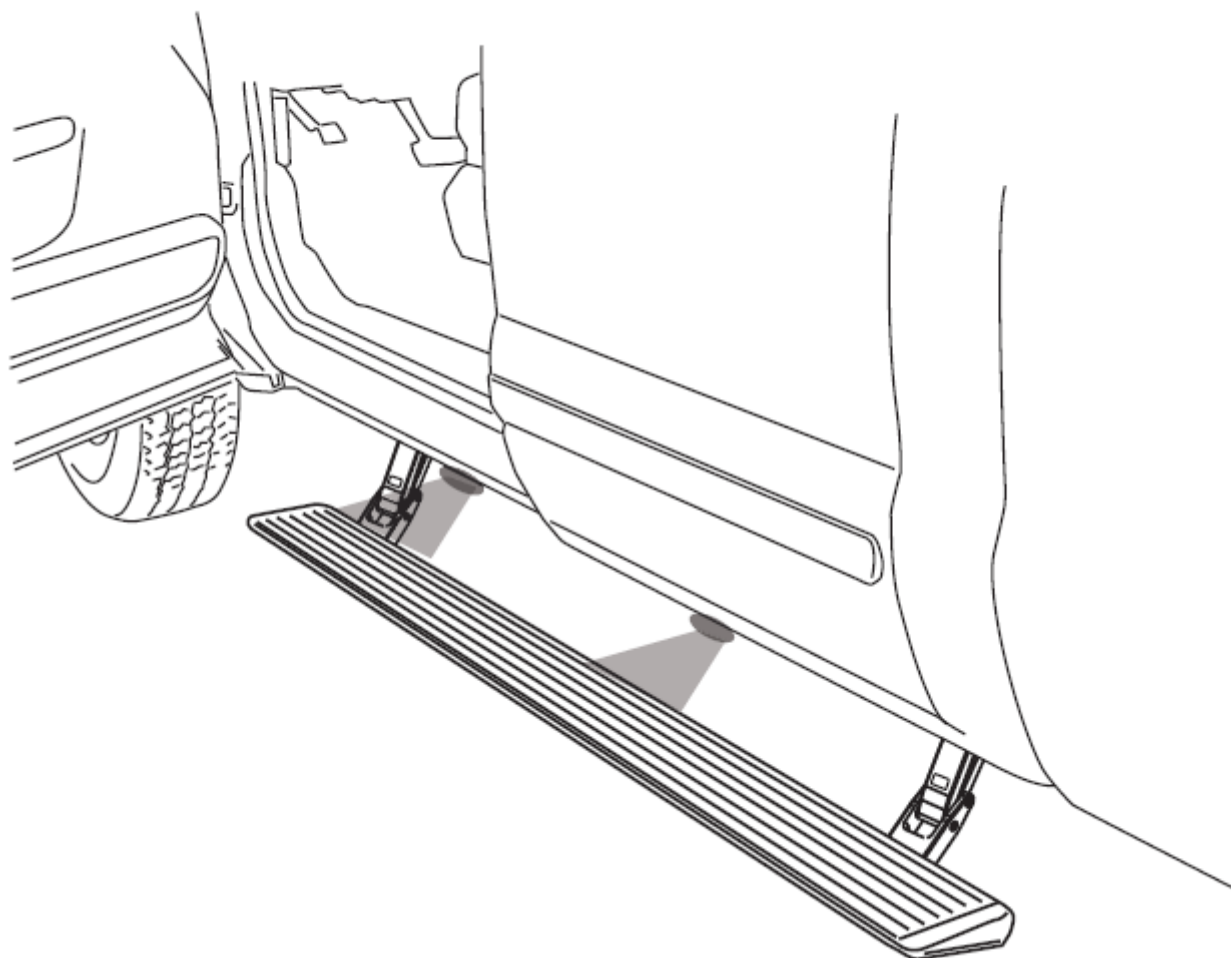


When starting the installation, replace the fuse we removed from the installation. After replacing the fuse, check the v-board operation. (5)

****** !!! Replace fuse no. S1**

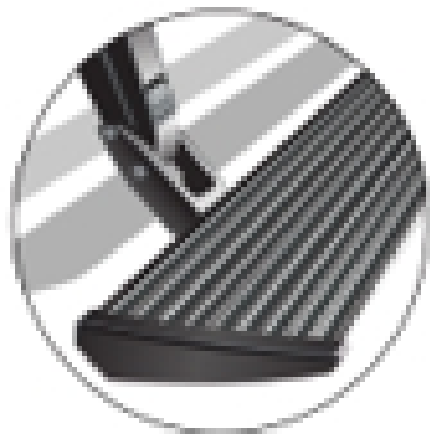
****** !!! Make sure that fuses S1 and S2 are installed in the correct place in the installation.**

v – Check board operation, opening & closing. Check that the LED light comes on when the door is opened.



V- board Opening

When the doors are opened, the v-board will automatically open down and out.



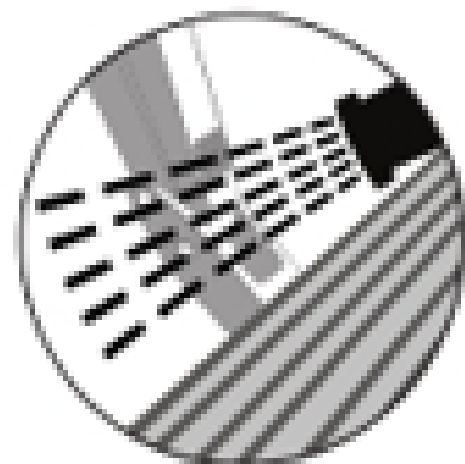
V- board Closing

When the doors close, the v-board will automatically return to the closed position.

V-board Automatic stop

V- board will automatically stop when it encounters an object or obstacle while opening. Open or close the door so that the V-board can continue normal operation.

Maintenance



In adverse conditions, noise may occur due to particles such as sawdust, mud, dirt and dust getting stuck in the v-board. In this case, direct spraying of the engines should not be done. Adjust V-boards manually. After washing, apply silicone spray lubricant to the hinges and pins. Do not apply silicone or protectors to the working v-board surface.

Attention! Keep your hands and feet away from the V-board while it is in motion.

WARRANTY

The warranty written on the v-Board “Veldo Warranty Certificate” is valid for 2 years from the start date. Veldo Warranty Certificate is given to the customer , during product delivery . Our customers are required to present this document in order to make use of the warranty process. To make free use of warranty transactions; the customer shall notify the customer of the failure in writing to Veldo Teknoloji Makine Üretim Sanayi Ticaret A.Ş authorized dealer or service or Veldo Teknoloji Makine Üretim Sanayi Ticaret A.Ş. Veldo Teknoloji Makine Üretim Sanayi Ticaret A.Ş cannot be held responsible for any failures that are not notified in writing. The customer accepts the damage caused by the failure. The warranty period for the product that was changed during the warranty period is limited to the remaining warranty period for the product that was purchased. Veldo Teknoloji Makine Üretim Sanayi Ticaret A.Ş authorized dealer / service or Veldo Teknoloji Makine Üretim Sanayi Ticaret A.Ş report will be able to repair the failure if it is determined that it is not possible, a free replacement will be made. After delivery of the product to customer, incorrect handling (impact, drop, impact), improper and inadequate care misuse use, use of the product in extremely humid, dusty or hot environments or use of the product in corrosive, corrosive environments, accident, shock, electricity (voltage changes), failures caused by natural disasters, as a result of (wearing) normal use and the nature of the material, malfunctions caused by insects or animals causing damage to the product or the cables of the product are not considered under warranty.

WARNING

Ensure that the product is installed by following the instructions given when installing it. Failure to do so could potentially endanger the occupants of the vehicle. After installing or re-installing, check again to make sure the product is working properly!!!!!!!!!!!!