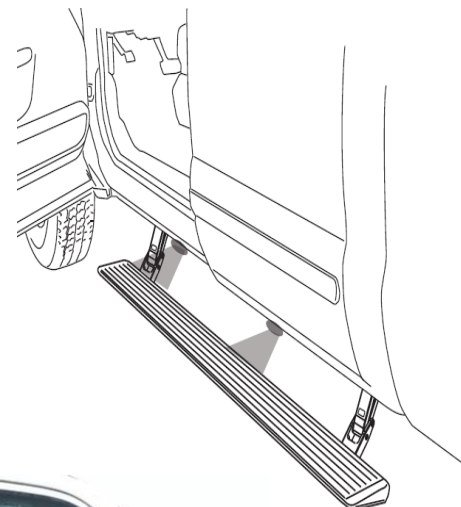
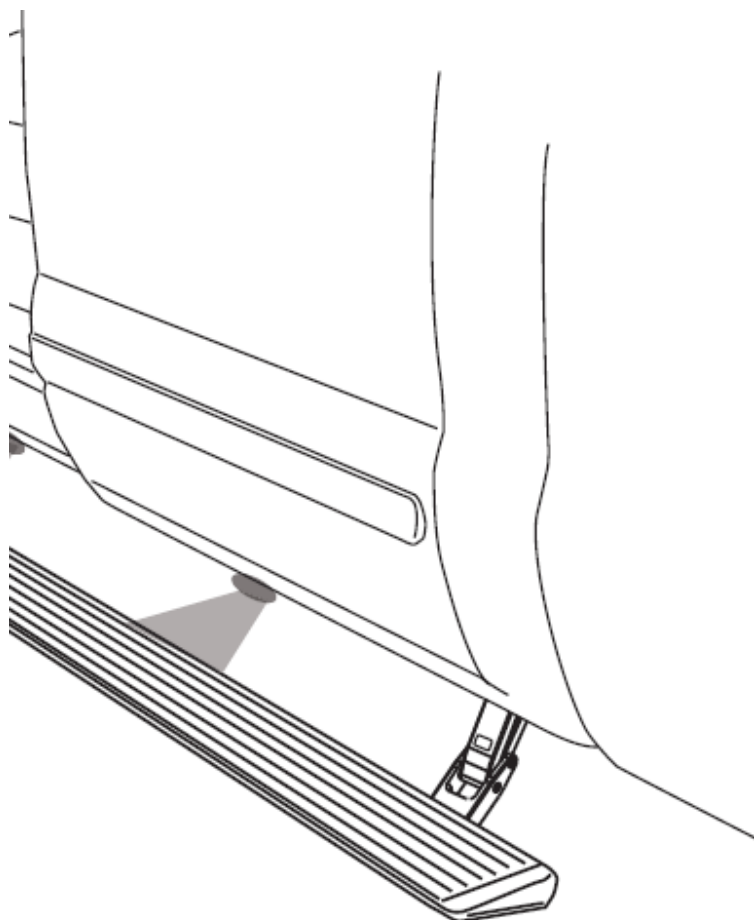


# -board



# CARAVELLE



## INSTALLATION TIME

3 – 4 HOURS

Professional installation  
recommended

## DIFFICULTY LEVEL

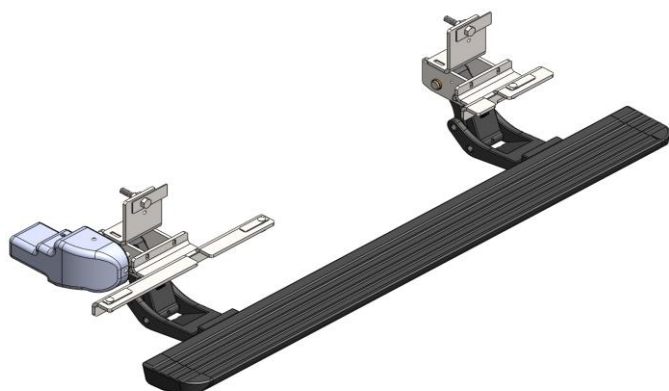


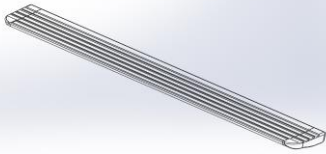
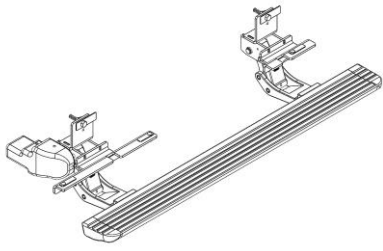
## EQUIPMENT LIST

- Protective glasses
- Ratchet wrench and arms
- Cable stripper
- Allen key utensil
- Electrical insulating strap
- Pliers
- 8 mm spanner
- 13 mm spanner
- 10 mm spanner
- Drill
- 10 mm drilling bit

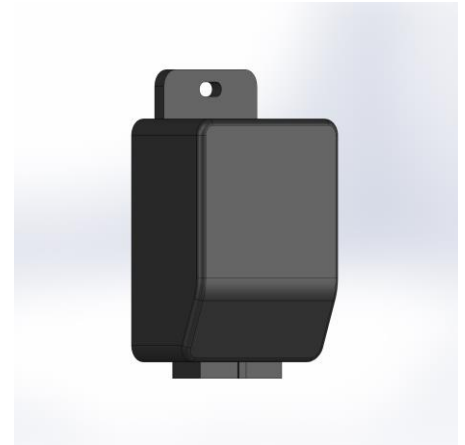
## WARRANTY PERIOD

2 YEARS

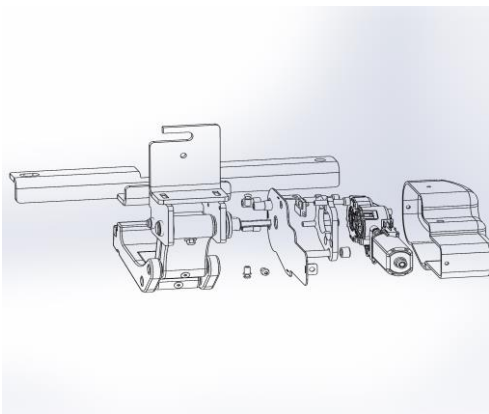




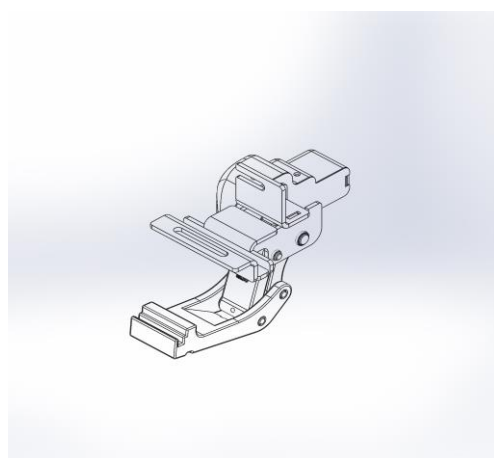
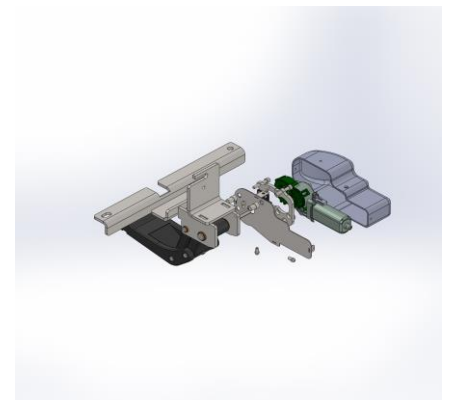
Board



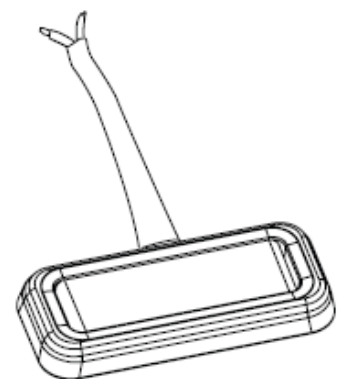
Control Unit



Motorized Carrier Foot

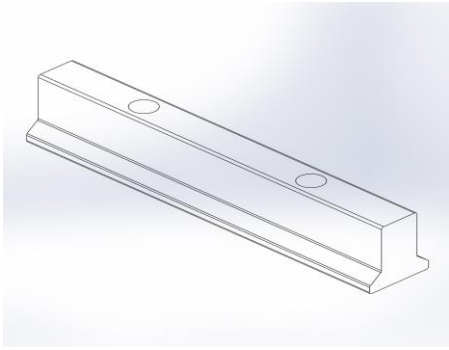


Motorless Carrier Foot

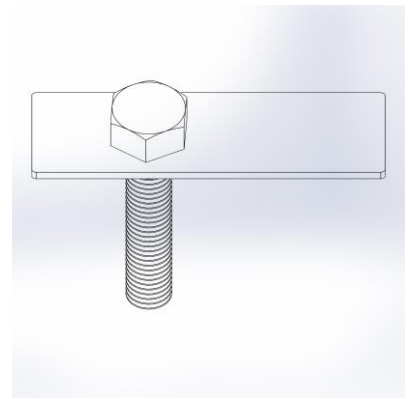


LED

**- Assembly Elements**



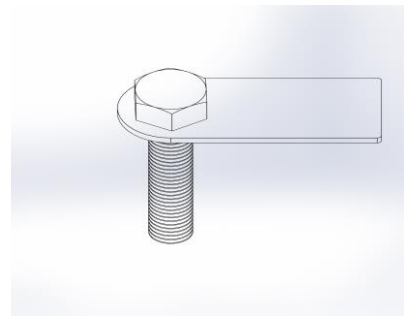
Board profile connector part



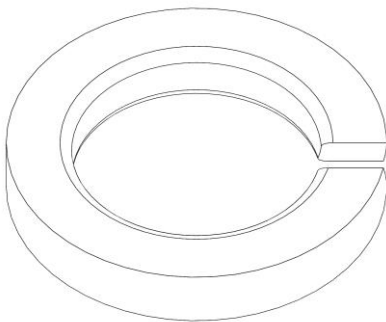
M10 x 50 Screw -1



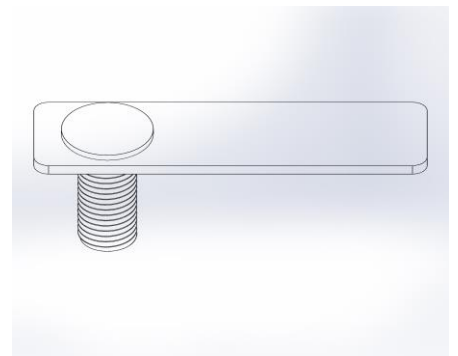
M6 x 35 Imbus Bolt



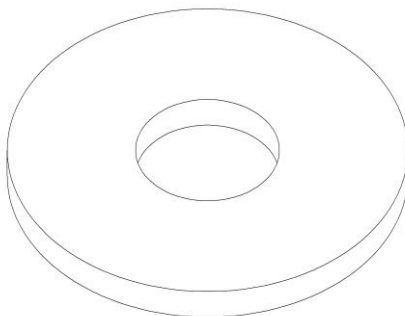
M10 x 50 Screw -2



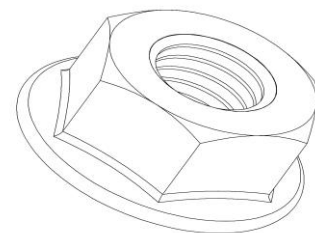
M6 Lock-washer



M8 x 30 Screw -3



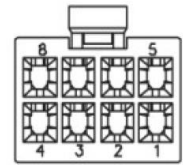
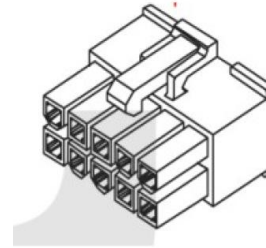
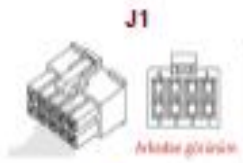
M10 Shim



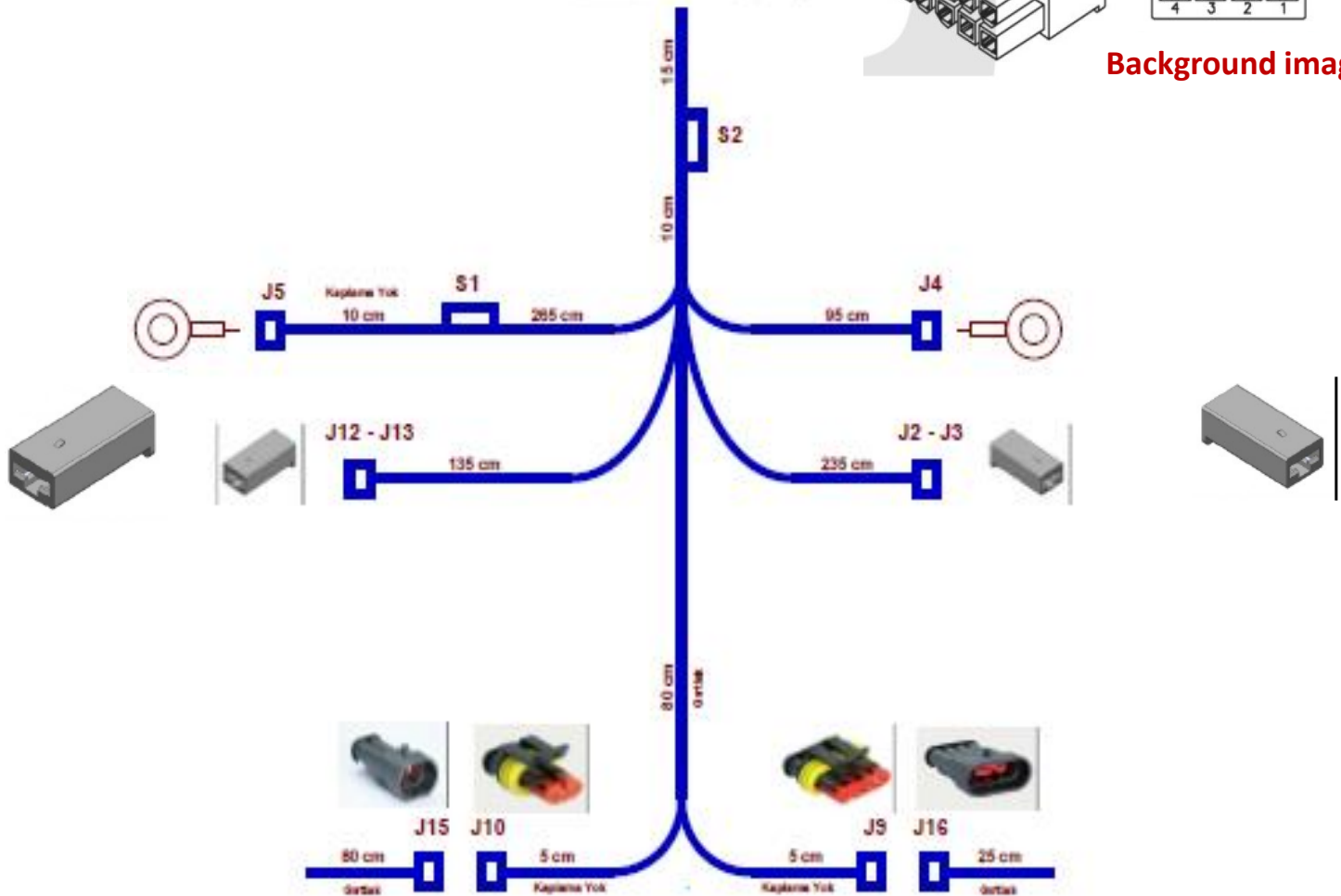
M10 Nut

SINGLE ENGONE v - board

**J1**



**Background image**



**J15**



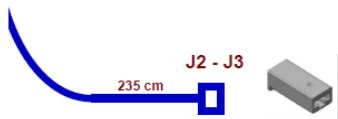
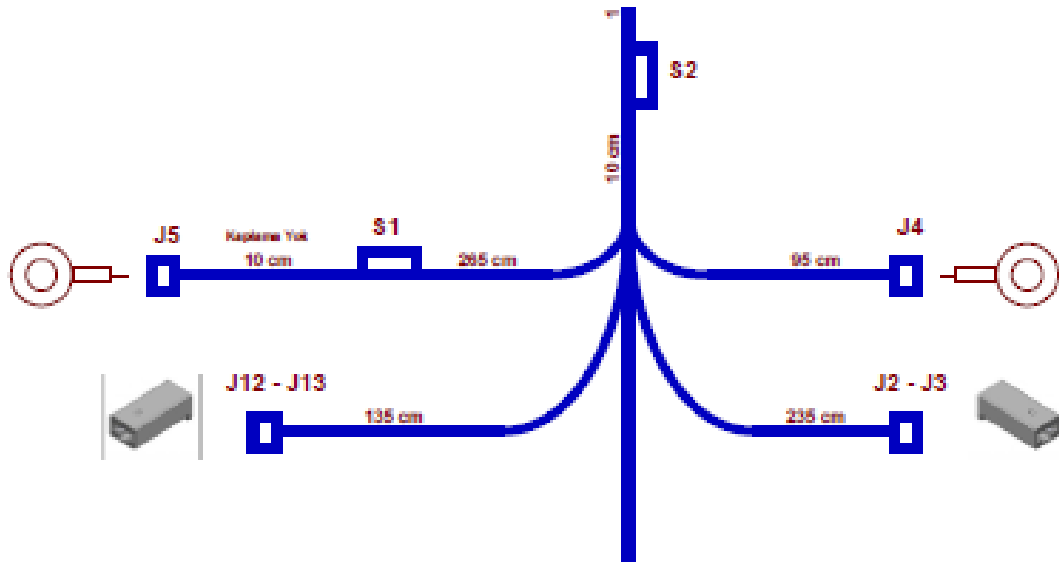
**J10**



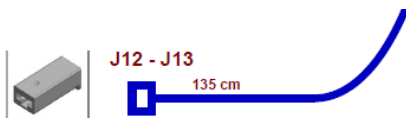
**J9**



**J16**



Contact and speed connection connection. ( **\*\*\*** This connection is optional. It is not mandatory for the operation of the v-board. )



Middle door connection switch

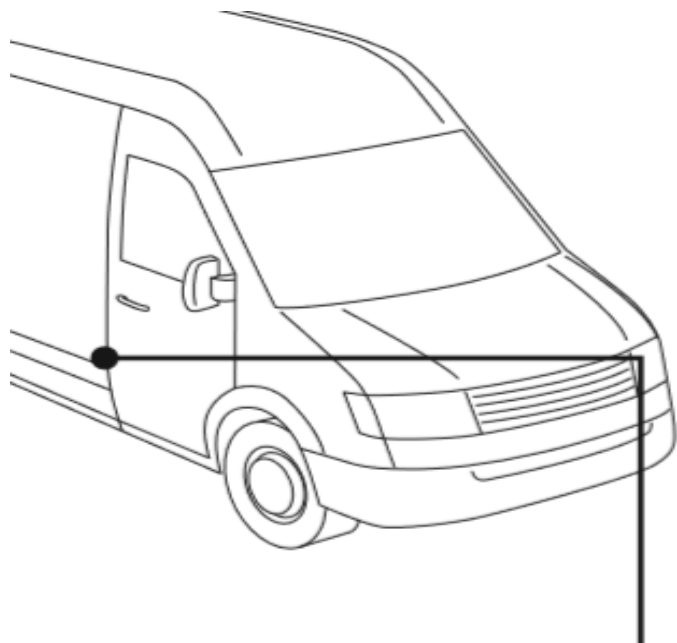


LED connection

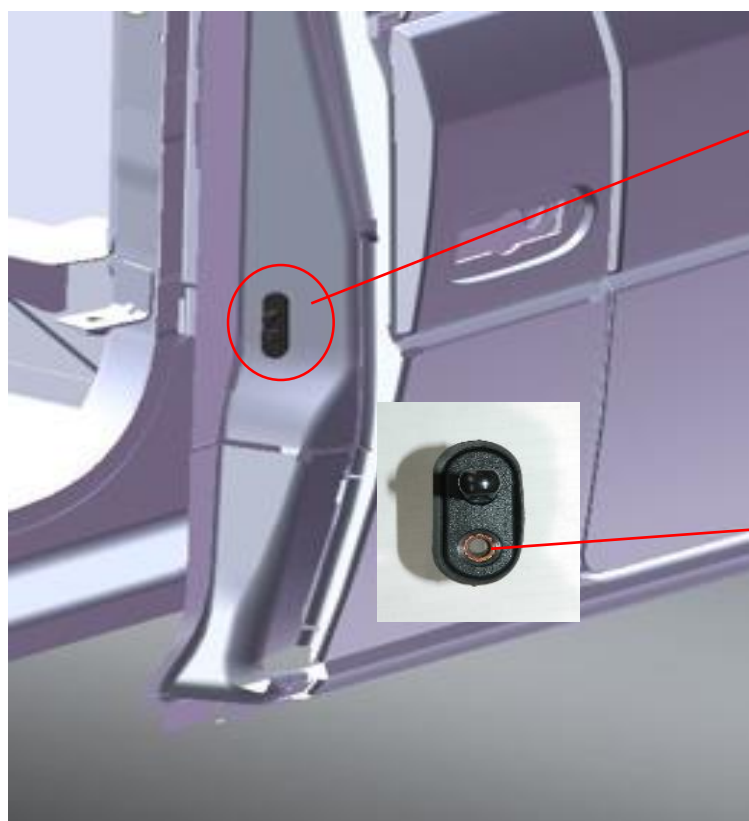


Main system engine connection



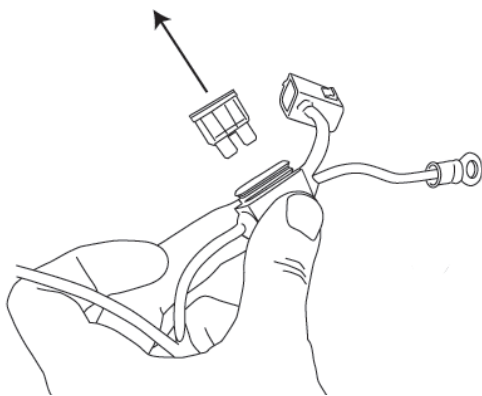


Middle and front door switch connections are made to the region seen in the picture.



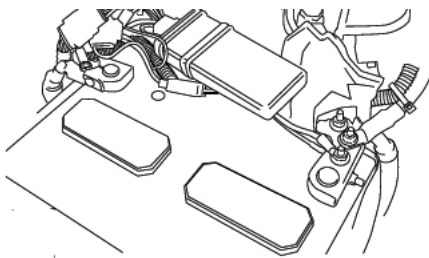
For switch mounting,  $\varnothing$  11 mm hole is drilled.

With the smart mounting screw, the assembly is done.



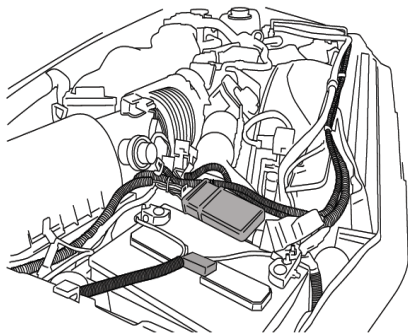
Before installation, the fuse on the installation is removed from the place.!!!!

1



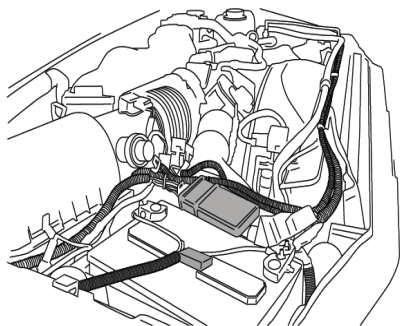
Connect the plus ( + ) end of the installation to the plus ( + ) end of the battery.

2



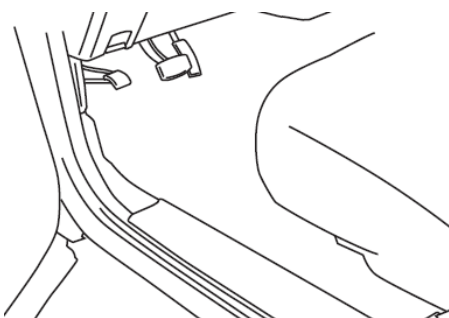
Pull the installation into the vehicle.

3



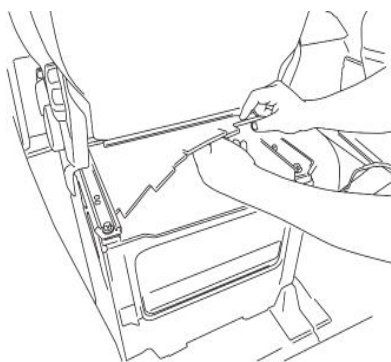
Connect the negative ( - ) end of the installation to the chassis of the vehicle

4

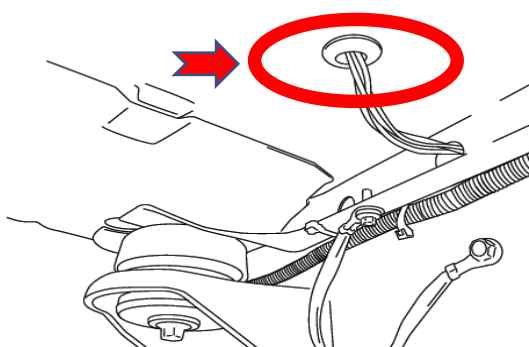


The installation is taken into the vehicle from the driver section from the lower part of the steering wheel. It is pulled under the front passenger seat..





The connection of the installation and control unit is made in the compartment below the front passenger seat. (6)

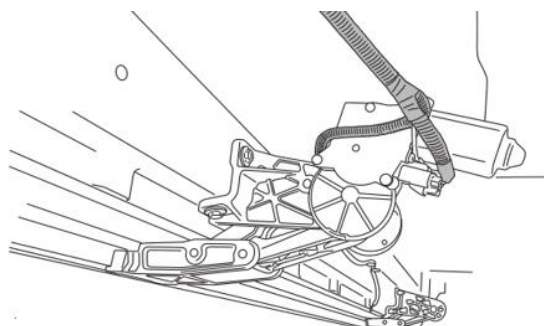


For connection of the installation under the vehicle, from the hole under the front passenger seat, the installation is taken to the bottom of the vehicle. (7)

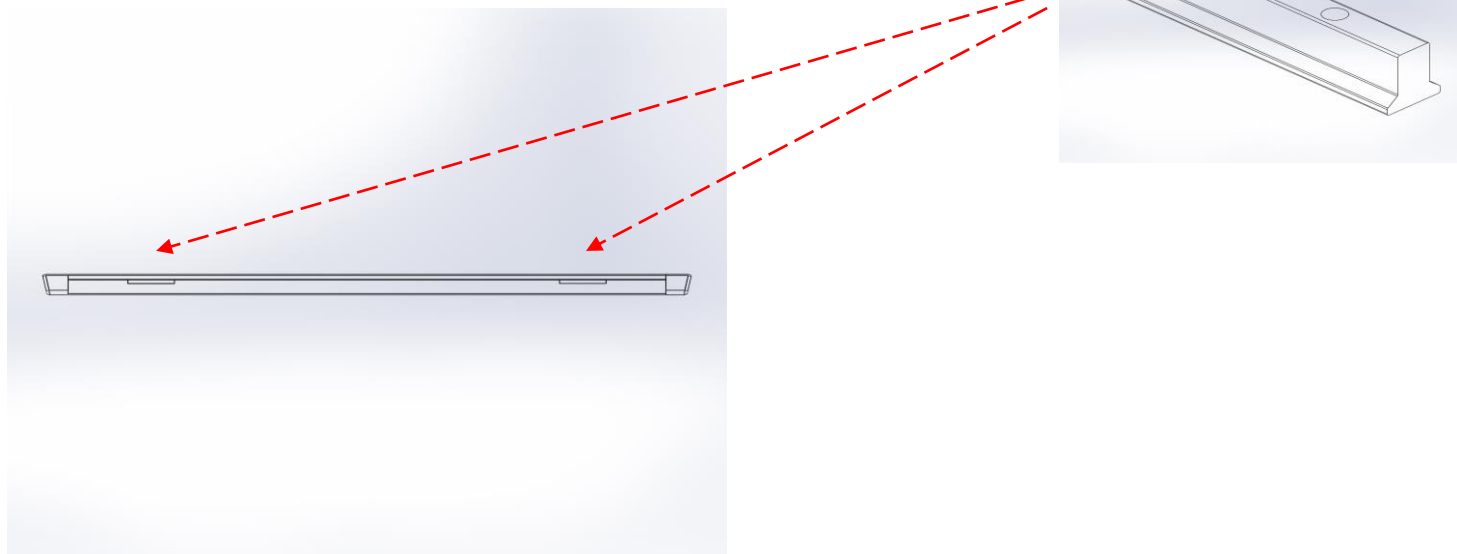
**\*\*** In vehicles where there is no hole, drilling must be done to pass the installation.



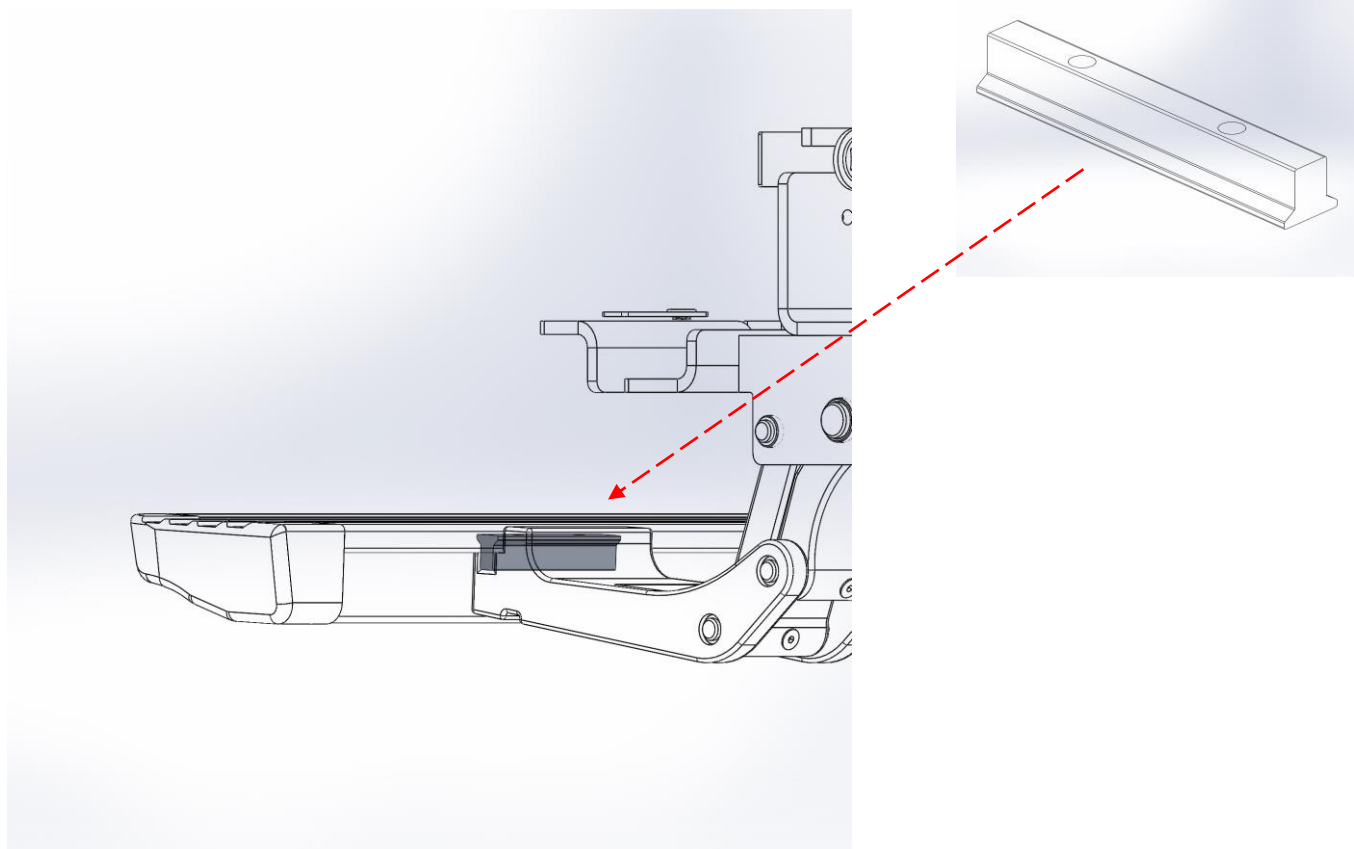
Drilling is done with  $\varnothing 38\text{mm}$  punch.

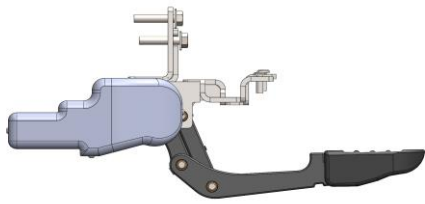


The socket connection on the motor is made on the foot. (8)

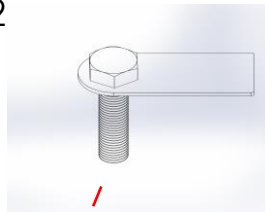


In the assembly of the carriers on board, the board profile fittings can be moved on board channel. By sliding to the section where the carrier foot will be mounted, the board will be mounted with the carrier foot.

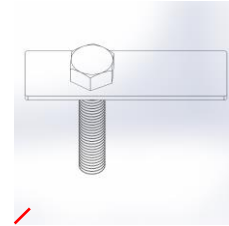




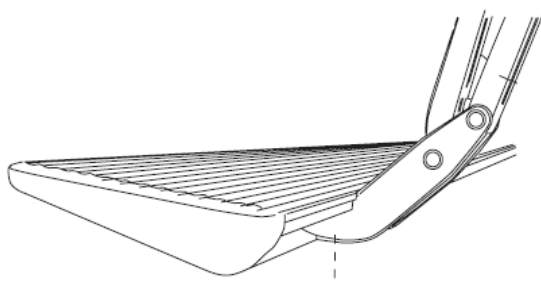
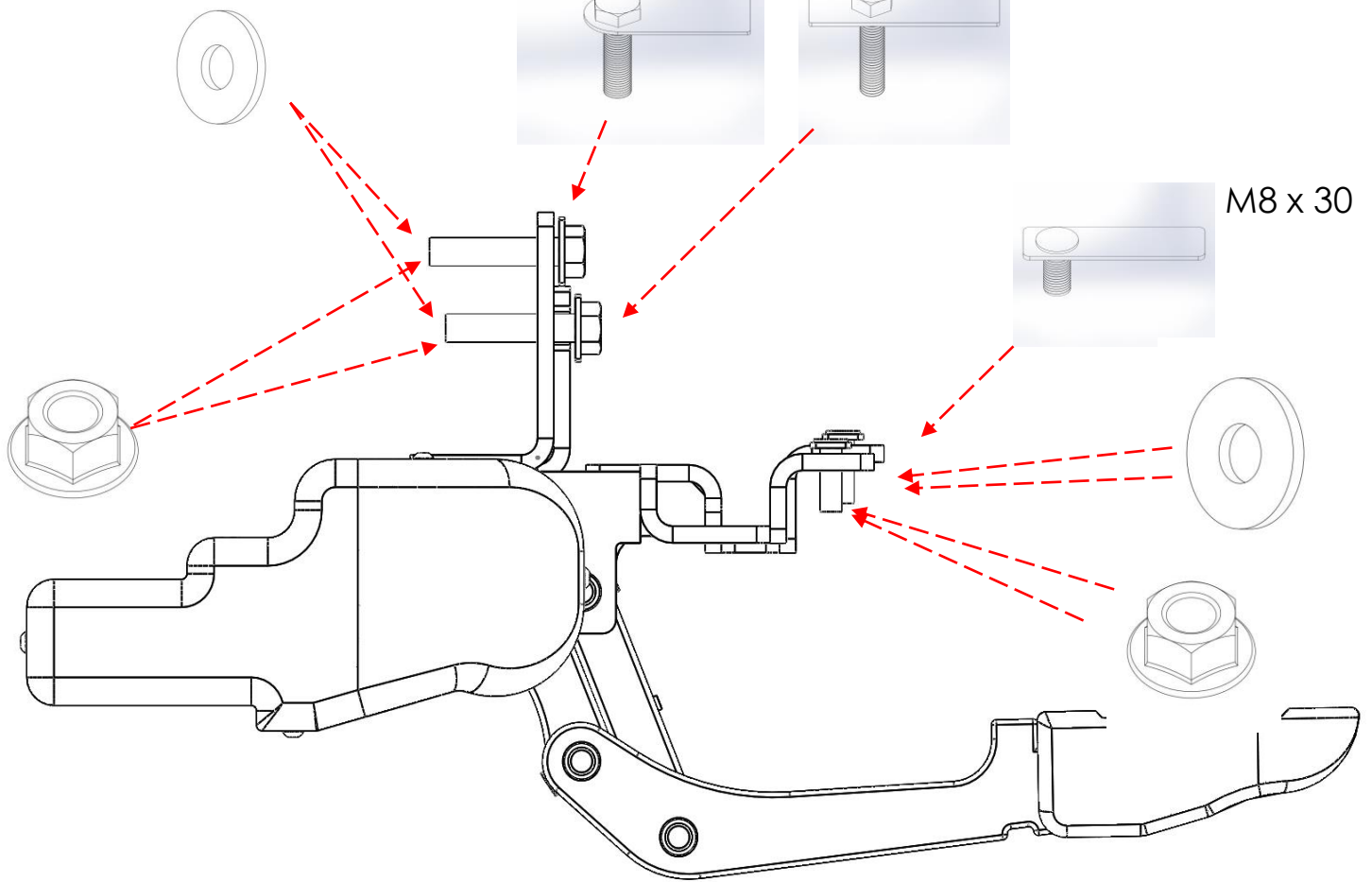
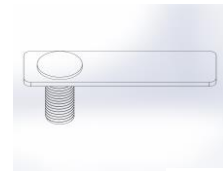
M10 x 50 -2



M10 x 50 -1

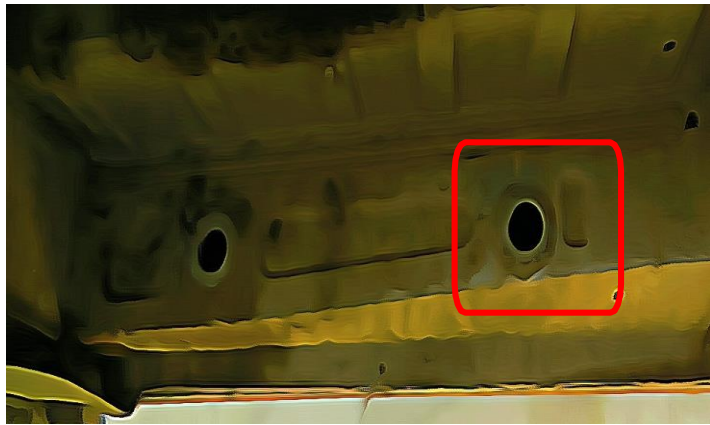


M8 x 30



M6 x 20

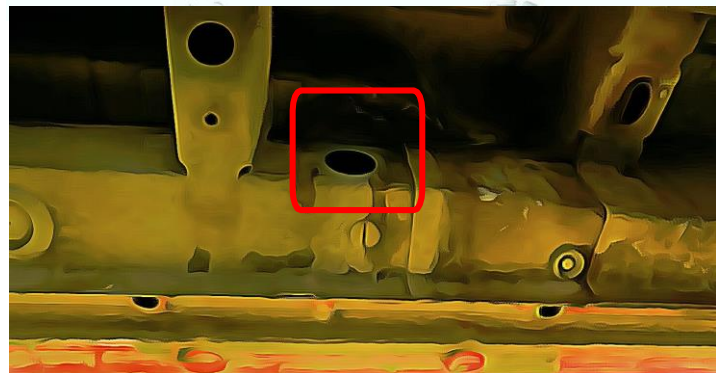




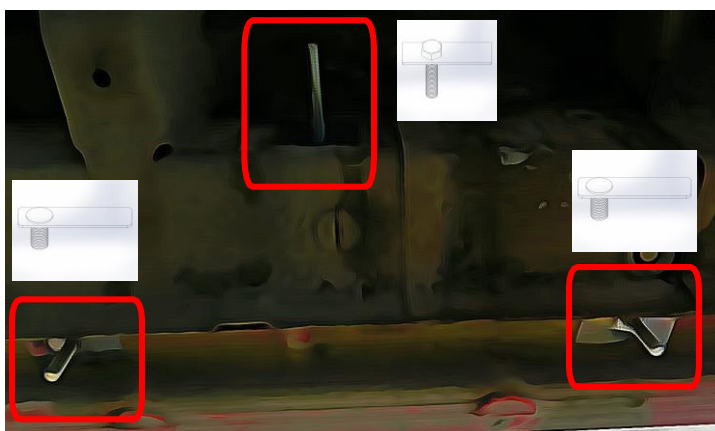
For the front carrier foot connection, the vehicle's original chassis hole is used. ①



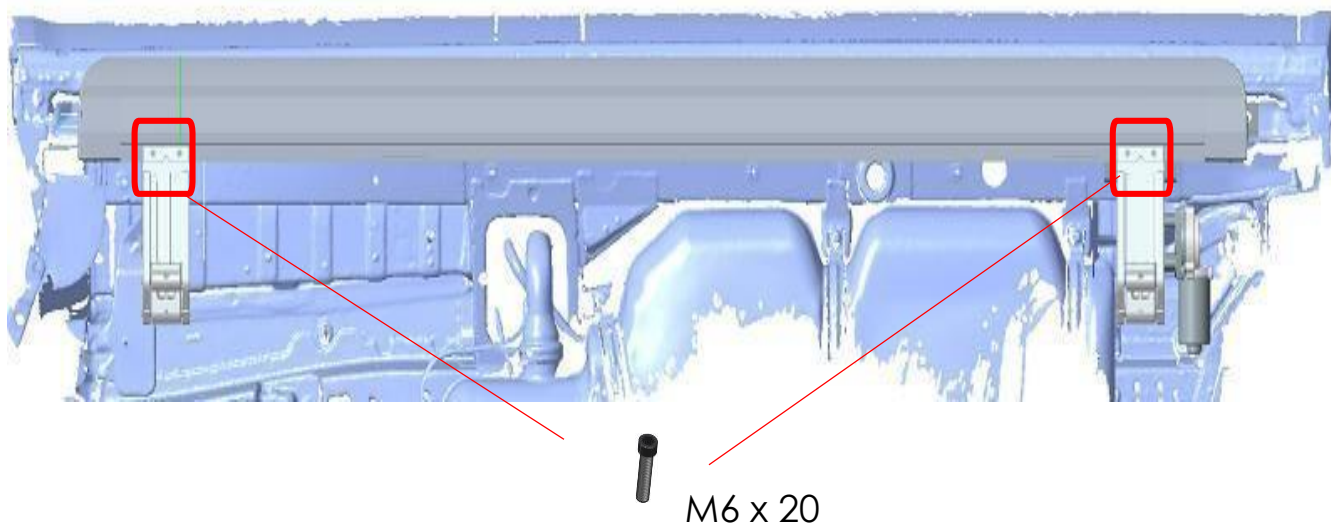
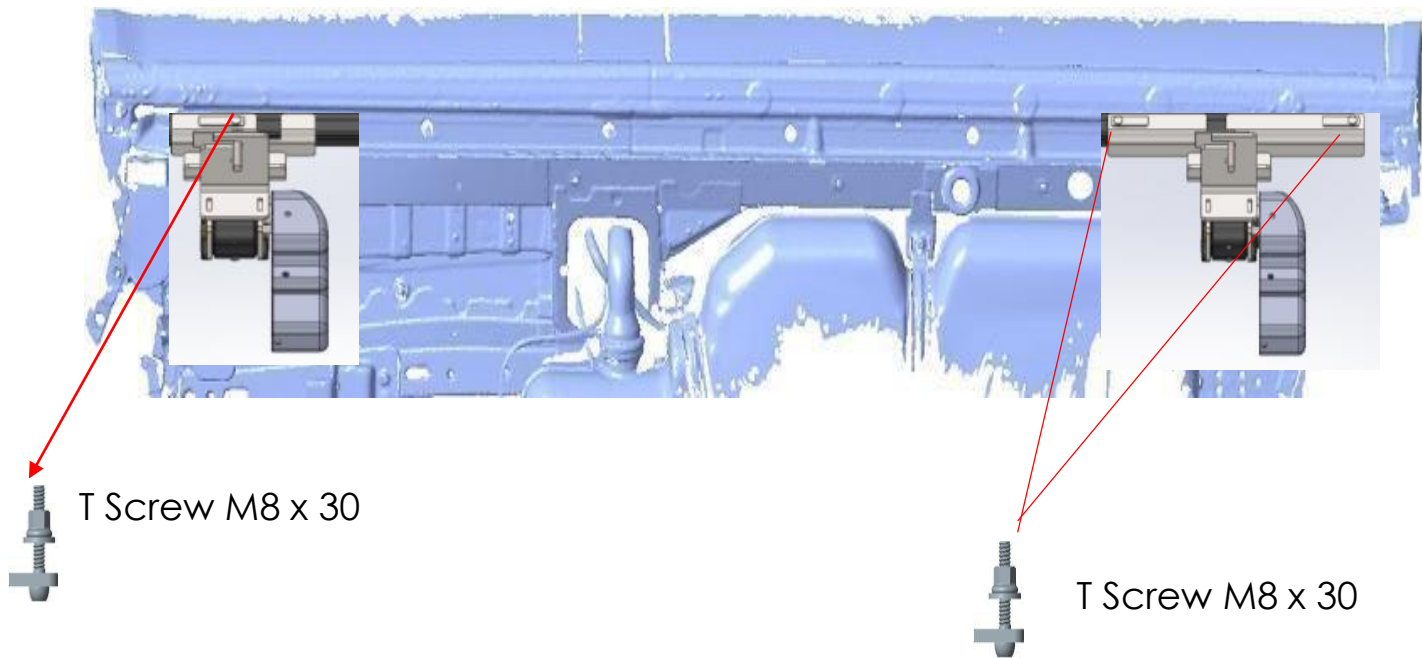
For the front carrier foot connection, bolts are placed in the vehicle's original chassis holes. ②



For the rear carrier foot connection, the vehicle's original chassis hole is used. ③

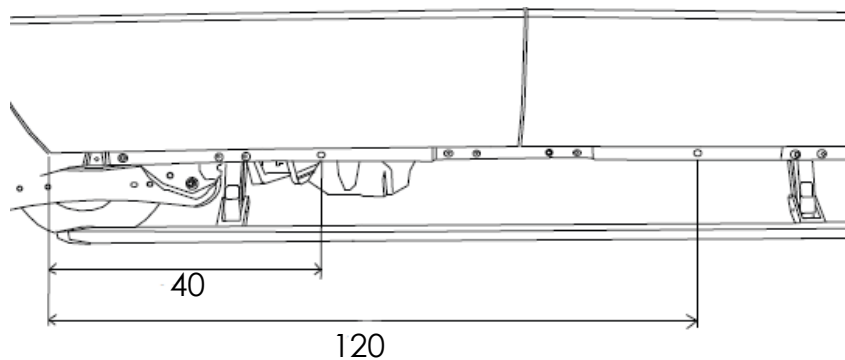


For front carrier foot connection, bolts are placed in the vehicle's original chassis holes. ④

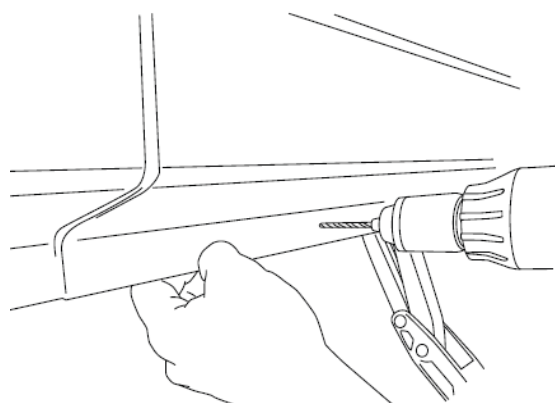


Use M6 x 20 screws for mounting the carriers on board.



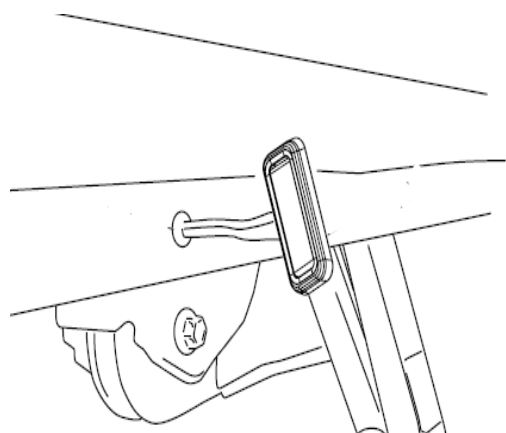


The points where LED installations will be made.



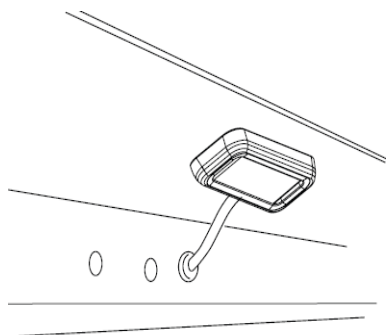
For LED installation, drill a  $\varnothing 10$  mm hole close to the carrier's connection port.

1



LED cables are passed through the perforated hole..

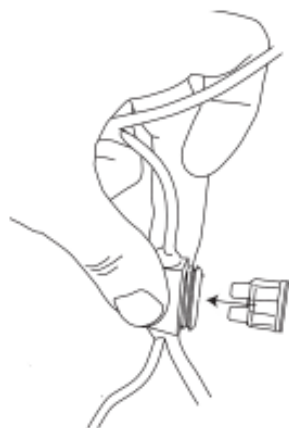
2



LED cable connections are made. LED installation is completed.

3

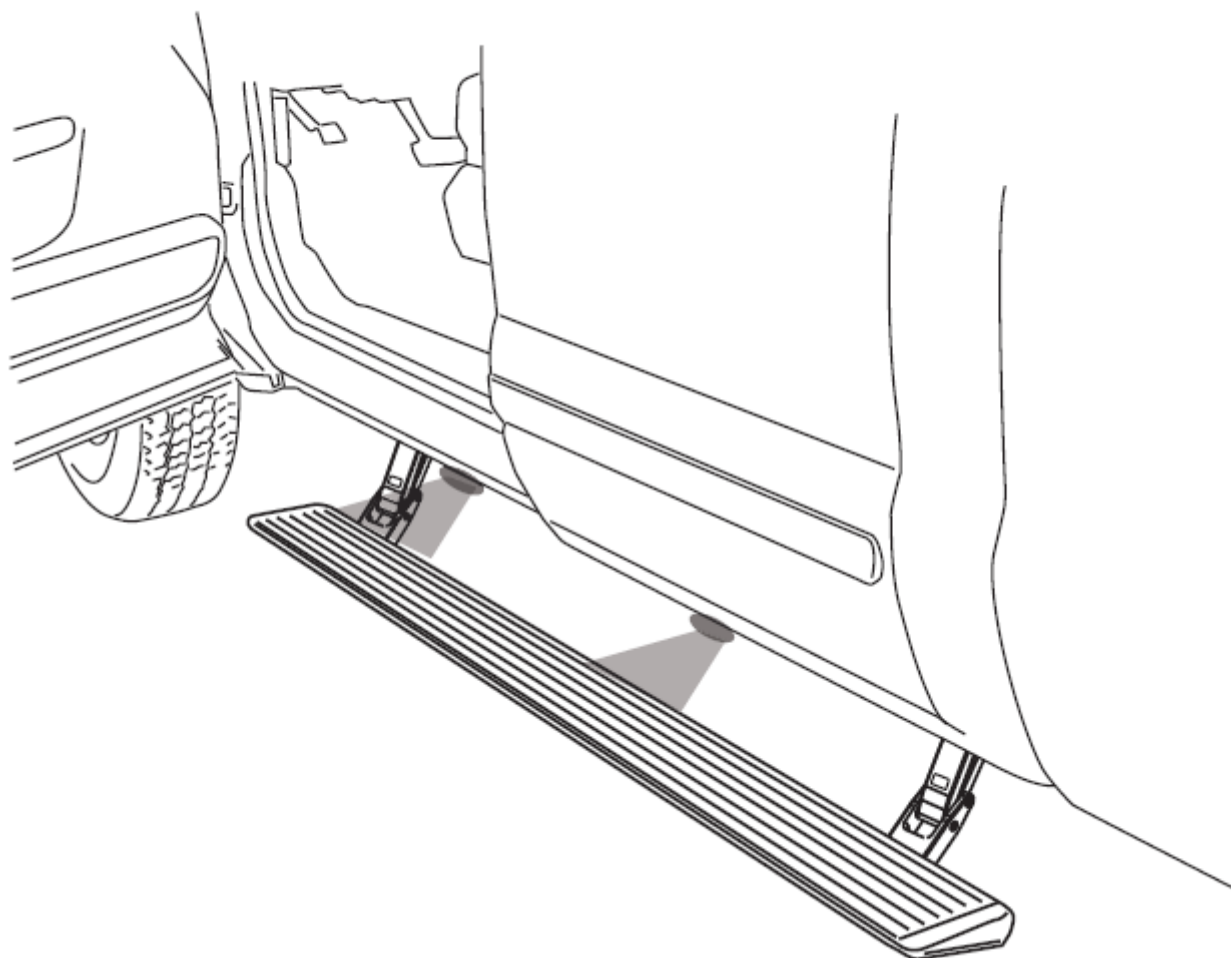




When the installation starts, replace the fuse we have removed from the installation. After replacing the fuse, check the V-Board operation.

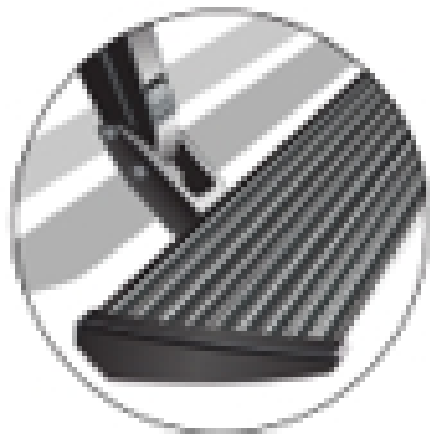
4

Check the V – Board operation, opening & closing. Check the LED light when the door is opened.



### **V- board Opening**

When the doors are opened, the V - board will automatically open down and out.



### **V- board Closing**

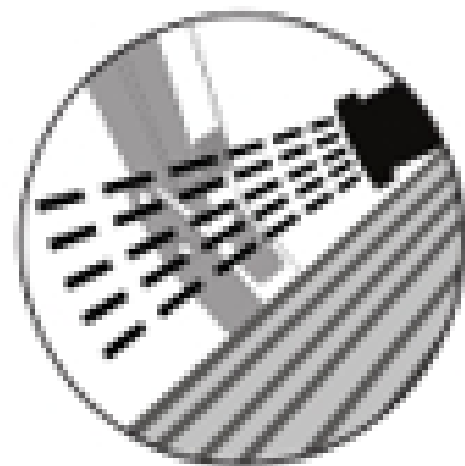
When the doors are closed, the V-board will automatically return to the closed position.

### **V-Board Automatic Stop**

The V – Board will stop automatically when it encounters an object or obstruction during the opening. Open or close the door so that the V - board can continue normal operation.

### **Maintenance**

In adverse conditions, noise may occur due to the compression of parts such as chips, mud, dirt and dust into the V-board. In this case, direct spraying should not be applied to the engines. Set the V - boards manually. After washing, apply silicone spray lubricant to hinges and pins. Do not apply silicone or preservatives to the working V-Board surface.



**Attention!** Keep your hands and feet away while the V - board is on the move.

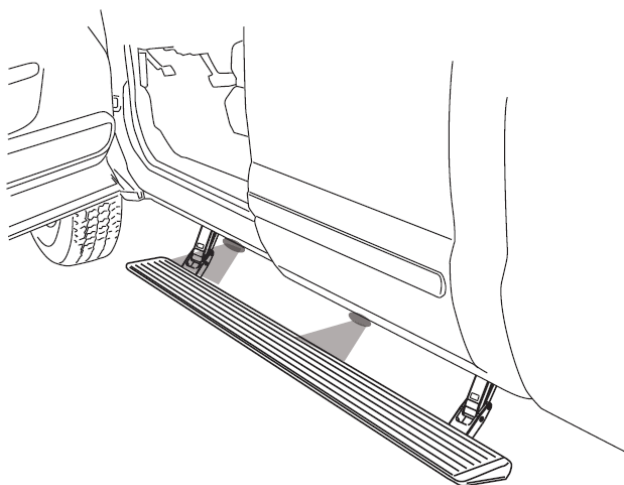
## WARRANTY

The warranty written on the v-Board “Veldo Warranty Certificate” is valid for 2 years from the start date. Veldo Warranty Certificate is given to the customer , during product delivery . Our customers are required to present this document in order to make use of the warranty process. To make free use of warranty transactions; the customer shall notify the customer of the failure in writing to Veldo Teknoloji Makine Üretim Sanayi Ticaret A.Ş authorized dealer or service or Veldo Teknoloji Makine Üretim Sanayi Ticaret A.Ş. Veldo Teknoloji Makine Üretim Sanayi Ticaret A.Ş cannot be held responsible for any failures that are not notified in writing. The customer accepts the damage caused by the failure. The warranty period for the product that was changed during the warranty period is limited to the remaining warranty period for the product that was purchased. Veldo Teknoloji Makine Üretim Sanayi Ticaret A.Ş authorized dealer / service or Veldo Teknoloji Makine Üretim Sanayi Ticaret A.Ş report will be able to repair the failure if it is determined that it is not possible, a free replacement will be made. After delivery of the product to customer, incorrect handling (impact, drop, impact), improper and inadequate care misuse use, use of the product in extremely humid, dusty or hot environments or use of the product in corrosive, corrosive environments, accident, shock, electricity (voltage changes), failures caused by natural disasters, as a result of (wearing) normal use and the nature of the material, malfunctions caused by insects or animals causing damage to the product or the cables of the product are not considered under warranty.

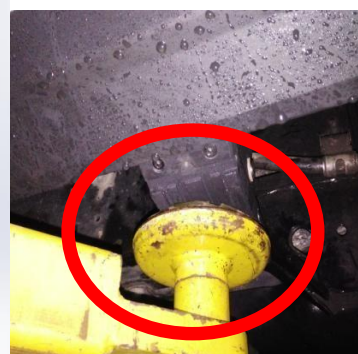
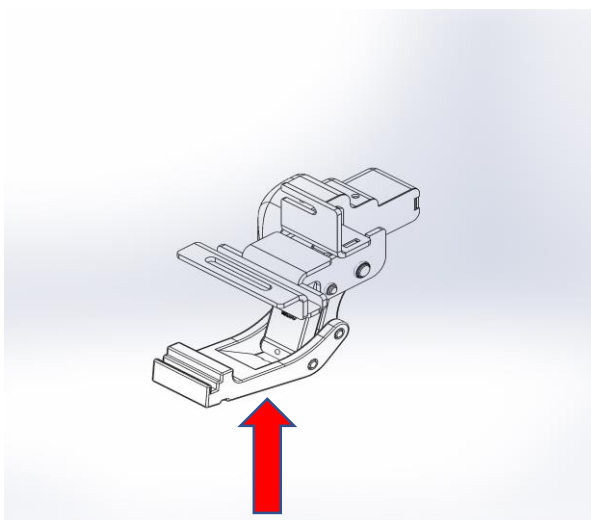
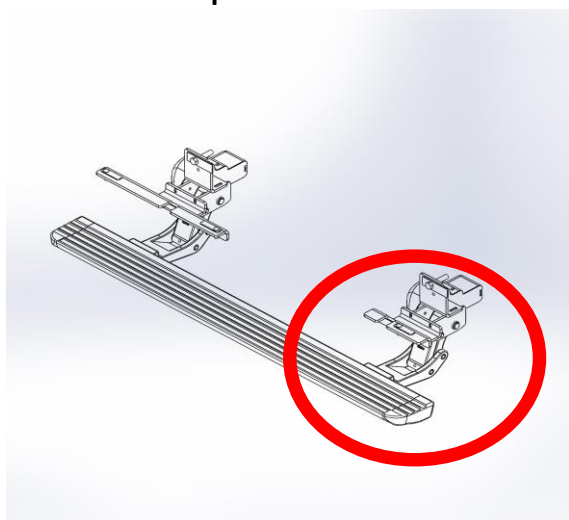
## WARNING

Ensure that the product is installed by following the instructions given when installing it. Failure to do so could potentially endanger the occupants of the vehicle. After installing or re-installing, check again to make sure the product is working properly.

- ❑ After installation is complete, check the V-Board operation.



- ❑ When the vehicle maintenance service is needed, lift feet can be placed in the places shown.



- ❑ When a tire change is required, the jack is placed in the area shown in the figure.

